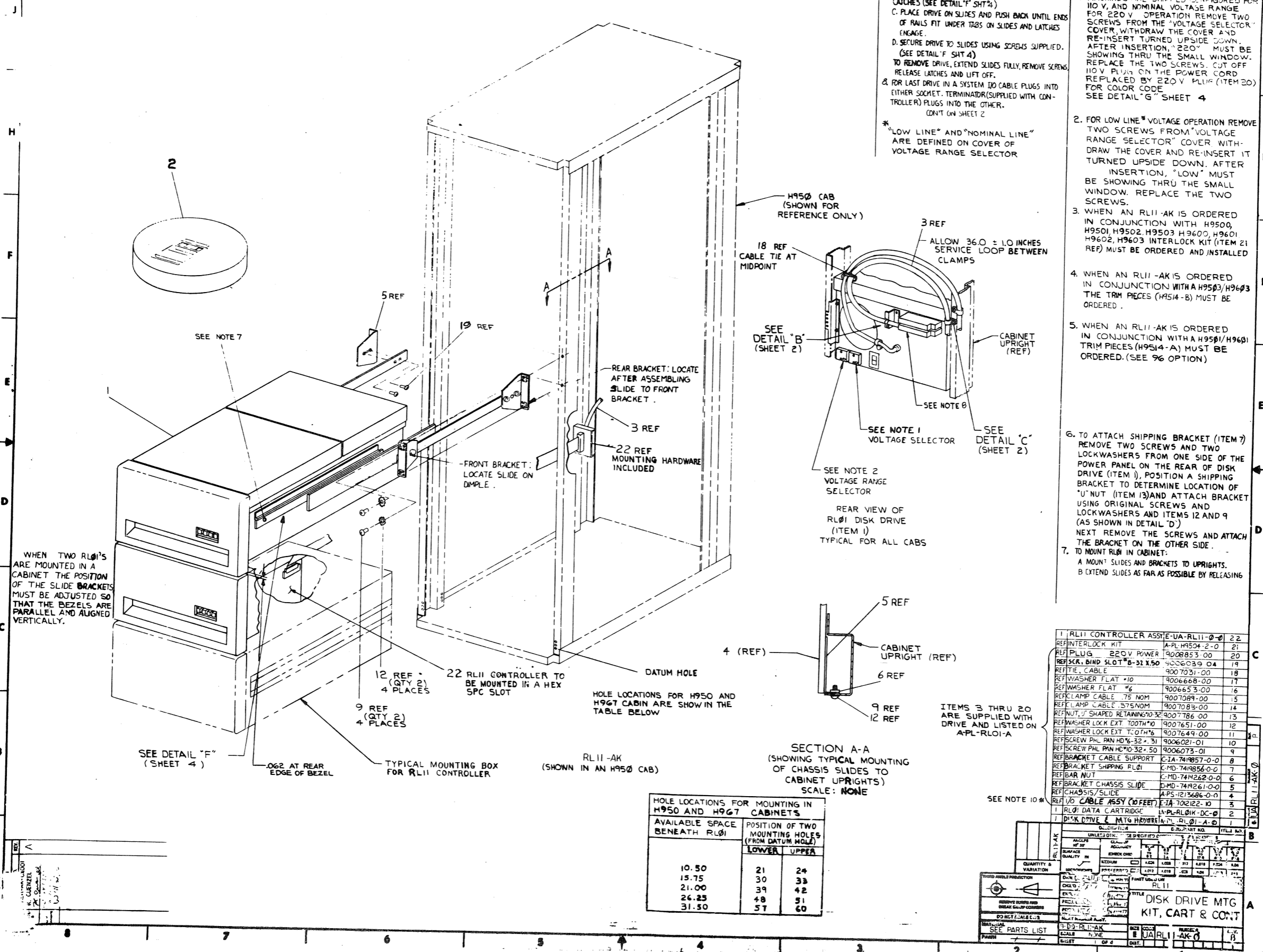
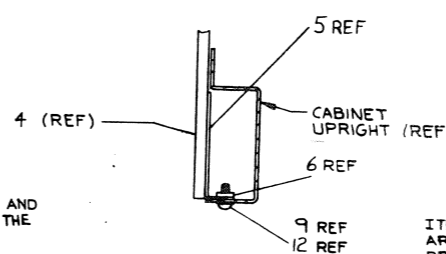
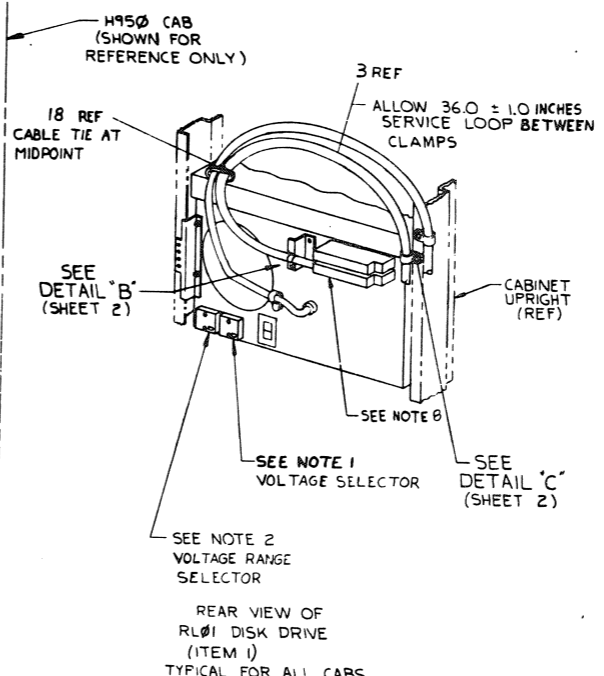


THIS DRAWING AND SPECIFICATIONS ARE THE PROPERTY OF BURROUGHS WALKER CORPORATION. NO PART HEREOF IS TO BE REPRODUCED OR TRANSMITTED IN ANY FORM OR BY ANY MEANS, ELECTRONIC OR MECHANICAL, INCLUDING PHOTOCOPYING, RECORDING, OR BY ANY INFORMATION STORAGE AND RETRIEVAL SYSTEM, WITHOUT PERMISSION IN WRITING FROM BURROUGHS WALKER CORPORATION.



7. CONT.
 CATCHES (SEE DETAIL "F" SHEET 4)
 C. PLACE DRIVE ON SLIDES AND PUSH BACK UNTIL ENDS OF RAILS FIT UNDER TABS ON SLIDES AND LATCHES ENGAGE.
 D. SECURE DRIVE TO SLIDES USING SCREWS SUPPLIED. (SEE DETAIL "F" SHEET 4)
 TO REMOVE DRIVE, EXTEND SLIDES FULLY, REMOVE SCREWS, RELEASE LATCHES AND LIFT OFF.
 E. FOR LAST DRIVE IN A SYSTEM 120 CABLE PLUGS INTO EITHER SOCKET. TERMINATOR (SUPPLIED WITH CONTROLLER) PLUGS INTO THE OTHER.
 CONT. ON SHEET 2
 * "LOW LINE" AND "NOMINAL LINE" ARE DEFINED ON COVER OF VOLTAGE RANGE SELECTOR

NOTES:
 1. MACHINES ARE SHIPPED CONFIGURED FOR 110 V, AND NOMINAL VOLTAGE RANGE FOR 220 V OPERATION REMOVE TWO SCREWS FROM THE "VOLTAGE SELECTOR" COVER, WITHDRAW THE COVER AND RE-INSERT TURNED UPSIDE DOWN. AFTER INSERTION, "220" MUST BE SHOWING THRU THE SMALL WINDOW. REPLACE THE TWO SCREWS. CUT OFF 110 V PLUG ON THE POWER CORD REPLACED BY 220 V PLUG (ITEM 20) FOR COLOR CODE SEE DETAIL "G" SHEET 4
 2. FOR LOW LINE* VOLTAGE OPERATION REMOVE TWO SCREWS FROM "VOLTAGE RANGE SELECTOR" COVER WITHDRAW THE COVER AND RE-INSERT IT TURNED UPSIDE DOWN. AFTER INSERTION, "LOW" MUST BE SHOWING THRU THE SMALL WINDOW. REPLACE THE TWO SCREWS.
 3. WHEN AN RLII-AK IS ORDERED IN CONJUNCTION WITH H9500, H9501, H9502, H9503, H9600, H9601, H9602, H9603 INTERLOCK KIT (ITEM 21 REF) MUST BE ORDERED AND INSTALLED
 4. WHEN AN RLII-AK IS ORDERED IN CONJUNCTION WITH A H9503/H9603 THE TRIM PIECES (H9514-B) MUST BE ORDERED.
 5. WHEN AN RLII-AK IS ORDERED IN CONJUNCTION WITH A H9501/H9601 TRIM PIECES (H9514-A) MUST BE ORDERED. (SEE 9% OPTION)
 6. TO ATTACH SHIPPING BRACKET (ITEM 7) REMOVE TWO SCREWS AND TWO LOCKWASHERS FROM ONE SIDE OF THE POWER PANEL ON THE REAR OF DISK DRIVE (ITEM 1), POSITION A SHIPPING BRACKET TO DETERMINE LOCATION OF "U" NUT (ITEM 13) AND ATTACH BRACKET USING ORIGINAL SCREWS AND LOCKWASHERS AND ITEMS 12 AND 9 (AS SHOWN IN DETAIL "D") NEXT REMOVE THE SCREWS AND ATTACH THE BRACKET ON THE OTHER SIDE.
 7. TO MOUNT RLII IN CABINET:
 A. MOUNT SLIDES AND BRACKETS TO UPRIGHTS.
 B. EXTEND SLIDES AS FAR AS POSSIBLE BY RELEASING



WHEN TWO RLII'S ARE MOUNTED IN A CABINET THE POSITION OF THE SLIDE BRACKETS MUST BE ADJUSTED SO THAT THE BEZELS ARE PARALLEL AND ALIGNED VERTICALLY.

SEE DETAIL "F" (SHEET 4)

.062 AT REAR EDGE OF BEZEL

TYPICAL MOUNTING BOX FOR RLII CONTROLLER

12 REF (QTY 2) 4 PLACES
 9 REF (QTY 2) 4 PLACES

22 RLII CONTROLLER TO BE MOUNTED IN A HEX SPC SLOT

HOLE LOCATIONS FOR H950 AND H967 CABINETS ARE SHOWN IN THE TABLE BELOW

RLII-AK (SHOWN IN AN H950 CAB)

SECTION A-A (SHOWING TYPICAL MOUNTING OF CHASSIS UPRIGHTS TO CABINET UPRIGHTS) SCALE: NONE

HOLE LOCATIONS FOR MOUNTING IN H950 AND H967 CABINETS		
AVAILABLE SPACE BENEATH RLII	POSITION OF TWO MOUNTING HOLES (FROM DATUM HOLE)	
	LOWER	UPPER
10.50	21	24
15.75	30	33
21.00	39	42
26.25	48	51
31.50	57	60

ITEMS 3 THRU 20 ARE SUPPLIED WITH DRIVE AND LISTED ON A-PL-RLOI-A

1	RLII CONTROLLER ASSY	E-UA-RLII-0-0	22
2	INTERLOCK KIT	A-PL-H9504-2-0	21
3	PLUG 220V POWER	9008853-00	20
4	SCREW BIND SLOT	B-31 X.50	19
5	REF TIE, CABLE	9007031-00	18
6	REF WASHER FLAT #10	9006668-00	17
7	REF WASHER FLAT #6	9006653-00	16
8	REF CLAMP CABLE .75 NOM	9007089-00	15
9	REF CLAMP CABLE .575 NOM	9007083-00	14
10	REF NUT, U SHAPED RETAINING	9007786-00	13
11	REF WASHER LOCK EXT TOOTH #10	9007651-00	12
12	REF WASHER LOCK EXT TOOTH #6	9007649-00	11
13	REF SCREW PHL PAN HD #6-32 X .31	9006021-01	10
14	REF SCREW PHL PAN HD #10-32 X .50	9006073-01	9
15	REF BRACKET CABLE SUPPORT	C-IA-7419857-0-0	8
16	REF BRACKET SHIPPING RLII	C-MD-7419856-0-0	7
17	REF BAR NUT	C-MD-7419262-0-0	6
18	REF BRACKET CHASSIS SLIDE	C-MD-7419261-0-0	5
19	REF CHASSIS SLIDE	APS-1215696-0-0	4
20	REF VOLTAGE CABLE ASSY (NO FEET)	E-IA-702122-10	3
21	RLII DATA CARTRIDGE	A-PL-RLOI-K-DC-0	2
22	DISK DRIVE & MTG HARDWARE	A-PL-RLOI-A-0	1

SEE NOTE 10

DISK DRIVE MTG KIT, CART & CONT

SEE PARTS LIST

SCALE: NONE

DATE: 10/77

BY: [Signature]

CHKD: [Signature]

APP'D: [Signature]

REV: 1

OF 2

THE DRAWING AND SPECIFICATIONS, HEREIN, ARE THE PROPERTY OF WESTERN ELECTRONIC CORPORATION AND SHALL NOT BE REPRODUCED OR COPIED IN WHOLE OR IN PART WITHOUT WRITTEN PERMISSION. DISK DRIVE MOUNTING KIT CARRY & CONT. MODEL RLII-AK-0

NOTES: CONT

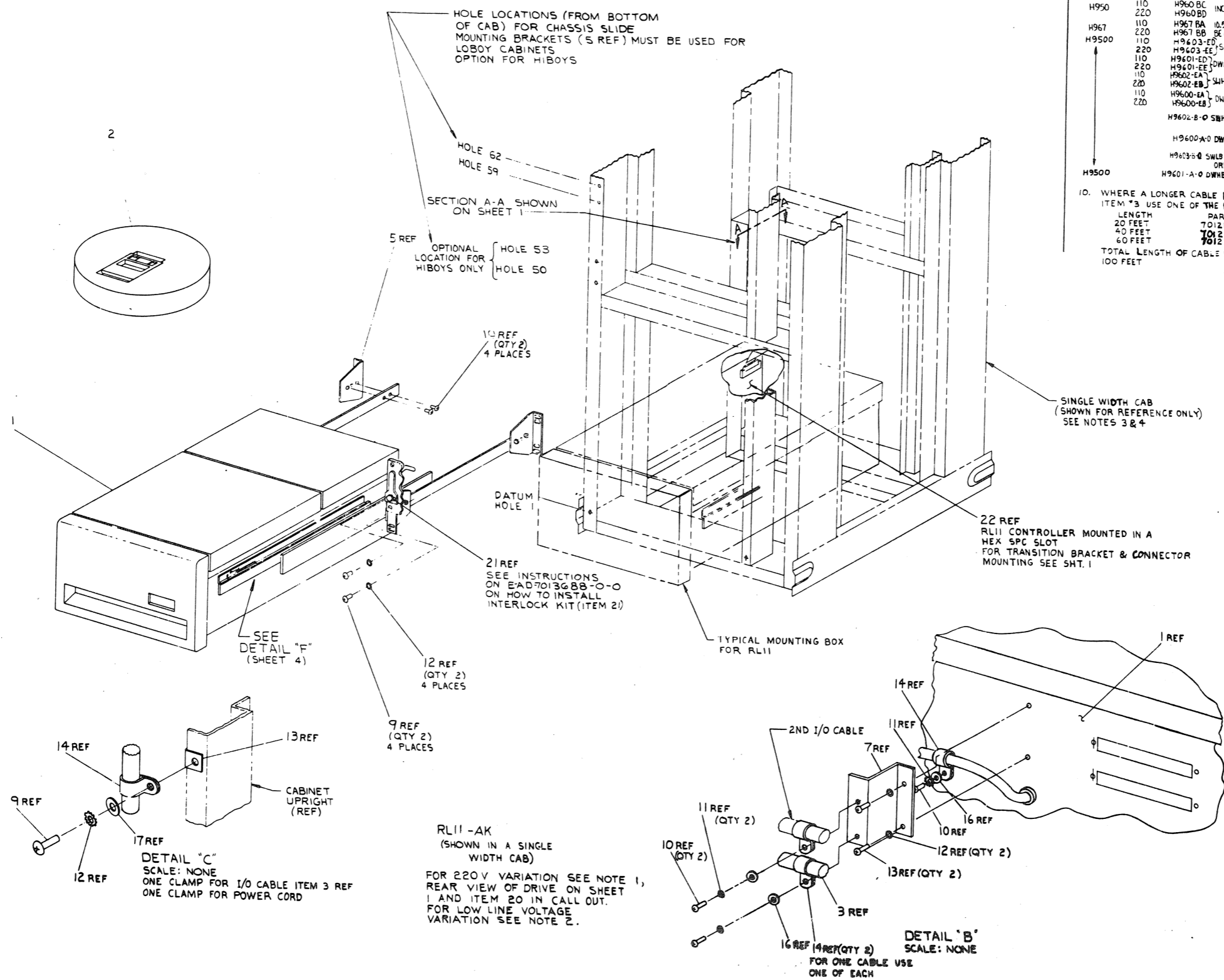
9. CABINET OPTIONS INCLUDE SKINS, DOORS, COVERS TRIM, AND POWER CONTROLLERS.

TYPE	VOLTS	DWG	REMARKS
H950	110	H960 BC	INCLUDES FIVE 10.5 IN HIGH PANELS
	220	H960 BD	
H967	110	H967 BA	10.5 IN COVER PANELS (H950-GA) MUST BE ORDERED IF REQUIRED.
	220	H967 BB	
H9500	110	H9603-ED	5 SWLB WITH H9514-B TOP COVERS
	220	H9603-EE	
	110	H9601-ED	5 SWLB WITH H9514-A TOP COVERS
	220	H9601-EE	
	110	H9602-EA	5 SWLB COMPLETE HIBOY CABINET
	220	H9602-EB	
	110	H9600-EA	5 SWLB COMPLETE HIBOY CABINET
	220	H9600-EB	
		H9602-B-0	5 SWLB OPTION ARRANGEMENT DWG. ORDER AS REQUIRED
		H9600-A-0	5 SWLB OPTION ARRANGEMENT DWG. ORDER AS REQUIRED
		H9603-B-0	5 SWLB OPTION ARRANGEMENT DWG. ORDER AS REQUIRED
H9500		H9601-A-0	5 SWLB OPTION ARRANGEMENT DWG. ORDER AS REQUIRED

10. WHERE A LONGER CABLE IS REQUIRED THAN ITEM #3 USE ONE OF THE FOLLOWING:

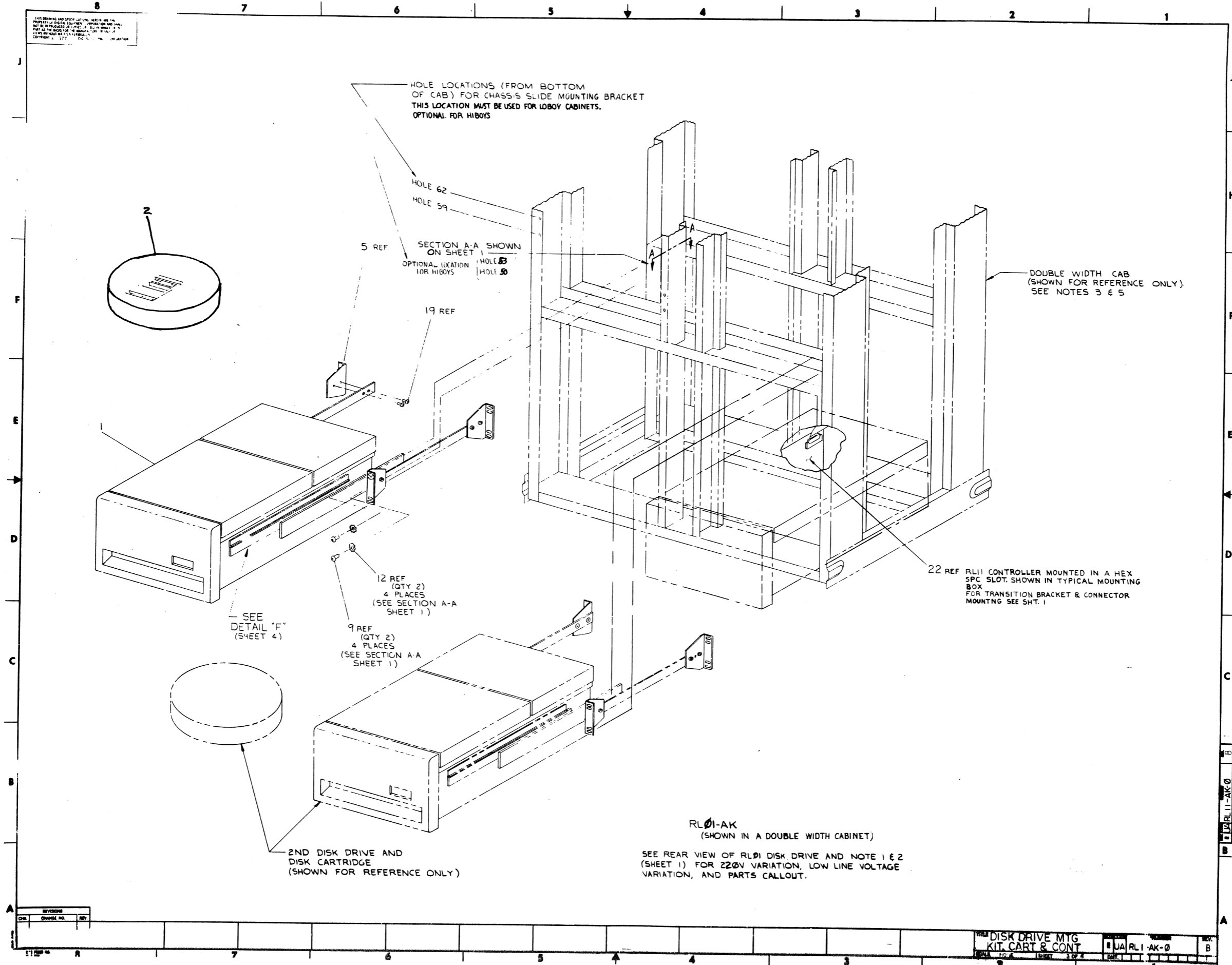
LENGTH	PART NO.
20 FEET	7012122-20
40 FEET	7012122-40
60 FEET	7012122-60

TOTAL LENGTH OF CABLE IS NOT TO EXCEED 100 FEET



DISK DRIVE MOUNTING KIT CARRY & CONT. MODEL RLII-AK-0

THIS DRAWING AND SPECIFICATIONS ARE THE PROPERTY OF DIGITAL EQUIPMENT CORPORATION. ALL RIGHTS ARE RESERVED. NO PART OF THIS DRAWING OR SPECIFICATIONS MAY BE REPRODUCED OR TRANSMITTED IN ANY FORM OR BY ANY MEANS, ELECTRONIC OR MECHANICAL, INCLUDING PHOTOCOPYING, RECORDING, OR BY ANY INFORMATION STORAGE AND RETRIEVAL SYSTEM.



HOLE LOCATIONS (FROM BOTTOM OF CAB) FOR CHASSIS SLIDE MOUNTING BRACKET. THIS LOCATION MUST BE USED FOR LOBBY CABINETS. OPTIONAL FOR HIBOYS

HOLE 62
HOLE 59

5 REF SECTION A-A SHOWN ON SHEET
OPTIONAL LOCATION FOR HIBOYS

19 REF

12 REF (QTY 2) 4 PLACES (SEE SECTION A-A SHEET 1)

9 REF (QTY 2) 4 PLACES (SEE SECTION A-A SHEET 1)

DOUBLE WIDTH CAB (SHOWN FOR REFERENCE ONLY) SEE NOTES 3 & 5

22 REF RL11 CONTROLLER MOUNTED IN A HEX SPC SLOT. SHOWN IN TYPICAL MOUNTING BOX FOR TRANSITION BRACKET & CONNECTOR MOUNTING SEE SHT. 1

SEE DETAIL "F" (SHEET 4)

2ND DISK DRIVE AND DISK CARTRIDGE (SHOWN FOR REFERENCE ONLY)

RL01-AK (SHOWN IN A DOUBLE WIDTH CABINET)

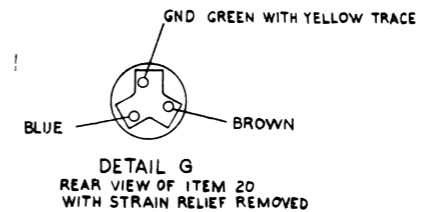
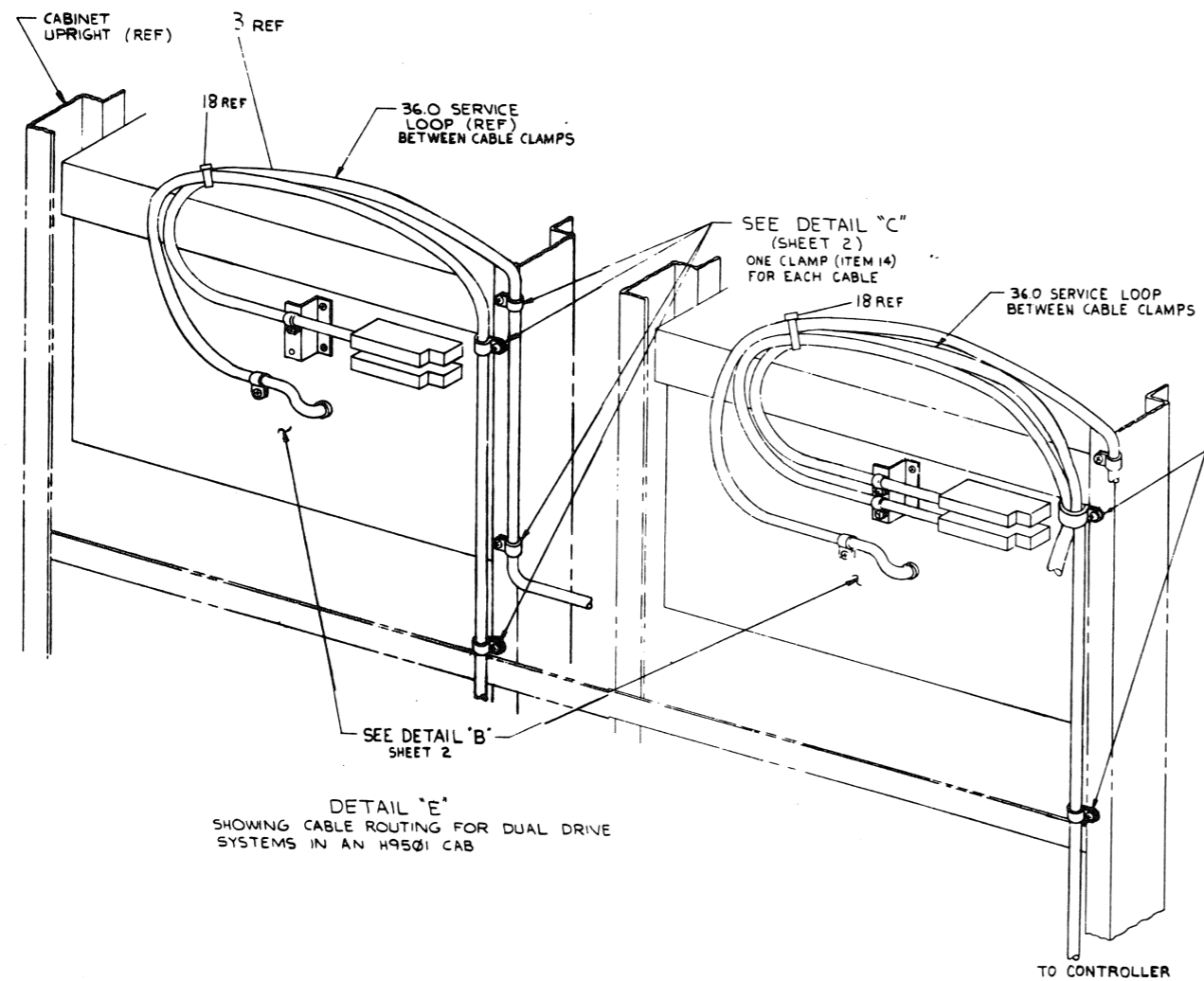
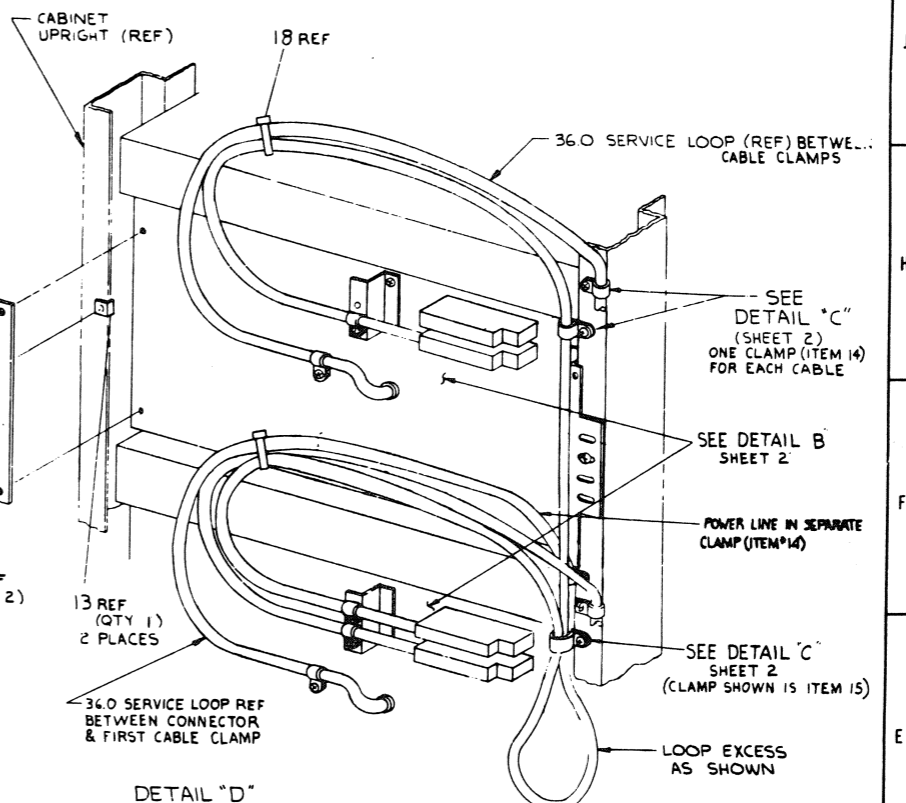
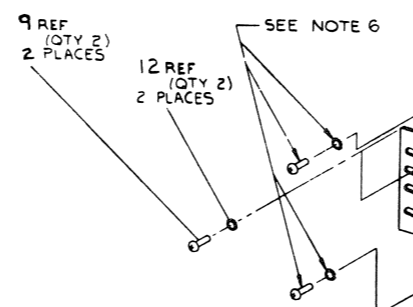
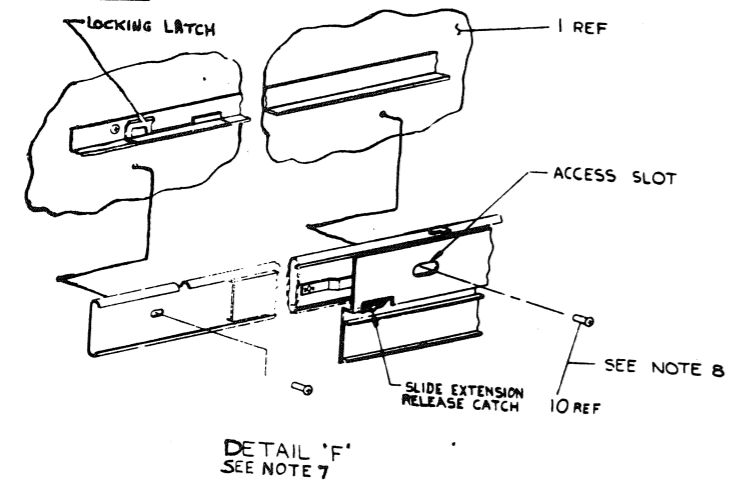
SEE REAR VIEW OF RL01 DISK DRIVE AND NOTE 1 & 2 (SHEET 1) FOR 220V VARIATION, LOW LINE VOLTAGE VARIATION, AND PARTS CALLOUT.

REV	DATE	BY	CHK	CHANGE NO.

DISK DRIVE MTG KIT, CART & CONT		REV. B
DATE: 11/27/74	BY: JUA	CHK: RL1-AK-0
1	2	3

5

THIS DRAWING AND SPECIFICATIONS HEREON ARE THE PROPERTY OF BENTON ELECTRONIC CORPORATION. NO PART HEREOF IS TO BE REPRODUCED OR COPIED IN ANY MANNER WITHOUT THE WRITTEN PERMISSION OF BENTON ELECTRONIC CORPORATION.



REV	DATE	BY	CHKD

6

**DIGITAL EQUIPMENT CORPORATION
MAYNARD, MASSACHUSETTS
PARTS LIST**

MADE BY B.K. NICHOLS
DATE 13 OCT 77
ENG D. ELLIS
DATE 16 NOV 77

CHECKED R.E. THELLEN
DATE 16 NOV 77
PROD H.T. ZIBAILO
DATE 17 NOV 77

SECTION
1
ISSUED SECT.
1

QUANTITY VARIATION

ITEM NO.	DWG NO./PART NO.	DESCRIPTION	RL11-AK													
1	E-UA-RL11-AK-0	DISK DRIVE, MTG, KIT, CARTRIDGE & CONTROLLER	1													
2	A-PL-ZJ256-RB	RL11-AK SOFTWARE LIST	1													

TITLE RL11-AK SHIPPING LIST	ASSY NO. B-DD-RL11-AK	SIZE A	CODE PL	NUMBER RL11-AK	REV B	ECO NO. RL11-AK- CZ002
SHEET 1 OF 1		DIST				

**DIGITAL EQUIPMENT CORPORATION
MAYNARD, MASSACHUSETTS**

PARTS LIST

QUANTITY VARIATION

MADE BY B. K. NICHOLS
DATE 13 Oct 77
ENG D. Elts
DATE 16 Nov 77

CHECKED *[Signature]*
DATE 16 NOV 77
PROD H.T. Zibailo
DATE 17 NOV 77

SECTION 1
ISSUED SECT. 1

ITEM NO.	DWG NO./PART NO.	DESCRIPTION	ZJ256-RB												
1	MAINDEC-11-DZRLA-D	RL11/RLV11 RLØ1 CONT. TEST (PT.1) DOCUMENT	1												
2	MAINDEC-11-DZRLA-PB	RL11/RLV11 RLØ1 CONT. TEST (PT.1) BIN. TP.	1												
3	MAINDEC-11-DZRLB-D	RL11/RLV11 RLØ1 CONT. TEST (PT.2) DOCUMENT	1												
4	MAINDEC-11-DZRLB-PB	RL11/RLV11 RLØ1 CONT. TEST (PT.2) BIN. TP.	1												
5	MAINDEC-11-DZRLC-D	RLØ1 DRIVE TEST (PT.1) DOCUMENT	1												
6	MAINDEC-11-DZRLC-PB	RLØ1 DRIVE TEST (PT.1) BINARY TAPE	1												
7	MAINDEC-11-DZRLD-D	RLØ1 DRIVE TEST (PT.2) DOCUMENT	1												
8	MAINDEC-11-DZRLD-PB	RLØ1 DRIVE TEST (PT.2) BINARY TAPE	1												
9	MAINDEC-11-DZRLE-D	RLØ1 PERFORMANCE EXERCISER DOCUMENT	1												
10	MAINDEC-11-DZRLE-PB	RLØ1 PERFORMANCE EXERCISER BINARY TAPE	1												
11	MAINDEC-11-DZRLF-D	RLØ1 DRIVE COMPATABILITY PROG. DOCUMENT	1												
12	MAINDEC-11-DZRLF-PB	RLØ1 DRIVE COMPATABILITY PROG. BINARY TAPE	1												

TITLE SOFTWARE LIST RL11-AK

ASSY NO. A-PL-RL11-AK-2

SIZE CODE A PL

NUMBER ZJ256-RB

REV

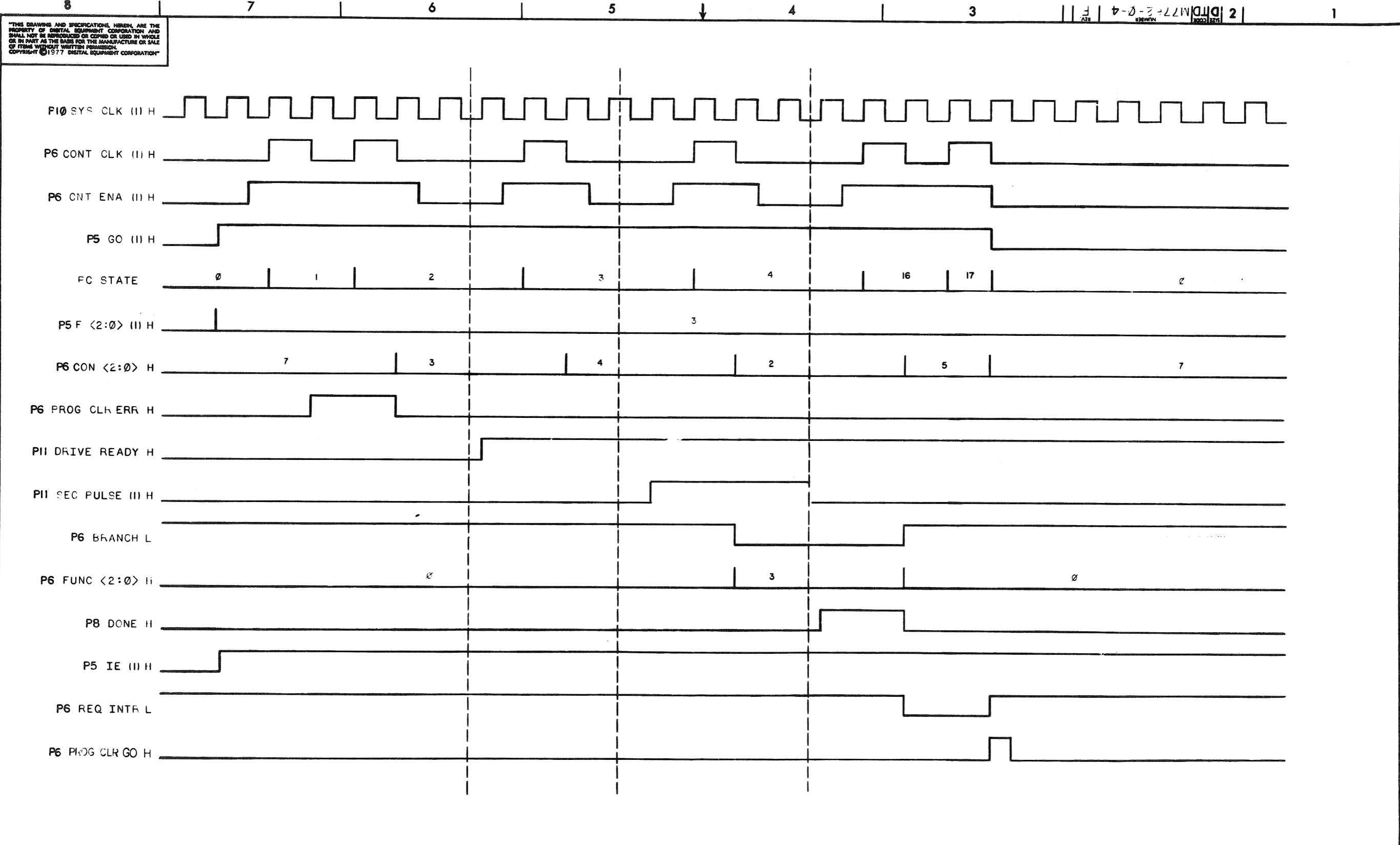
ECO NO.

SHEET 1 **OF** 1

DIST

DEC FORM 02A 110

THIS DRAWING AND SPECIFICATIONS HEREIN ARE THE PROPERTY OF DIGITAL EQUIPMENT CORPORATION AND SHALL NOT BE REPRODUCED OR COPIED OR USED IN WHOLE OR IN PART AS THE BASIS FOR THE MANUFACTURE OR SALE OF ITEMS WITHOUT WRITTEN PERMISSION.
 COPYRIGHT © 1977 DIGITAL EQUIPMENT CORPORATION

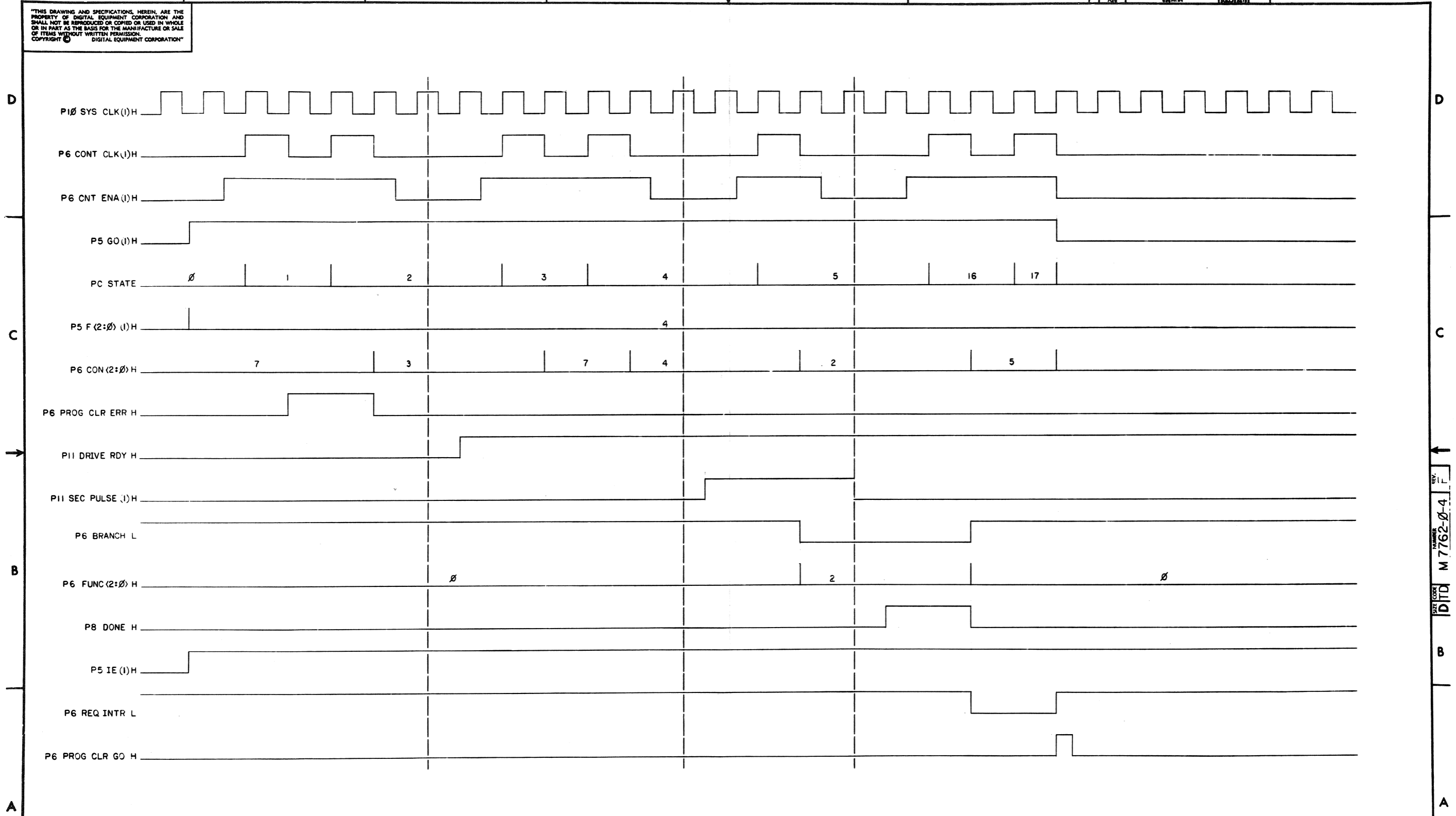


REVISIONS		
CHK	CHANGE NO.	REV.

SEEK FUNCTION TIMING
 TITLE RLI CONTROLLER TIMING DIAGRAM
 SCALE NONE SHEET 4 OF 13
 SIZE CODE D TD NUMBER M7762-0-4 REV. F

DTD M7762-0-4 REV. F

"THIS DRAWING AND SPECIFICATIONS, HEREIN, ARE THE PROPERTY OF DIGITAL EQUIPMENT CORPORATION AND SHALL NOT BE REPRODUCED OR COPIED OR USED IN WHOLE OR IN PART AS THE BASIS FOR THE MANUFACTURE OR SALE OF ITEMS WITHOUT WRITTEN PERMISSION. COPYRIGHT © DIGITAL EQUIPMENT CORPORATION"



REVISIONS		
CHK	CHANGE NO.	REV.

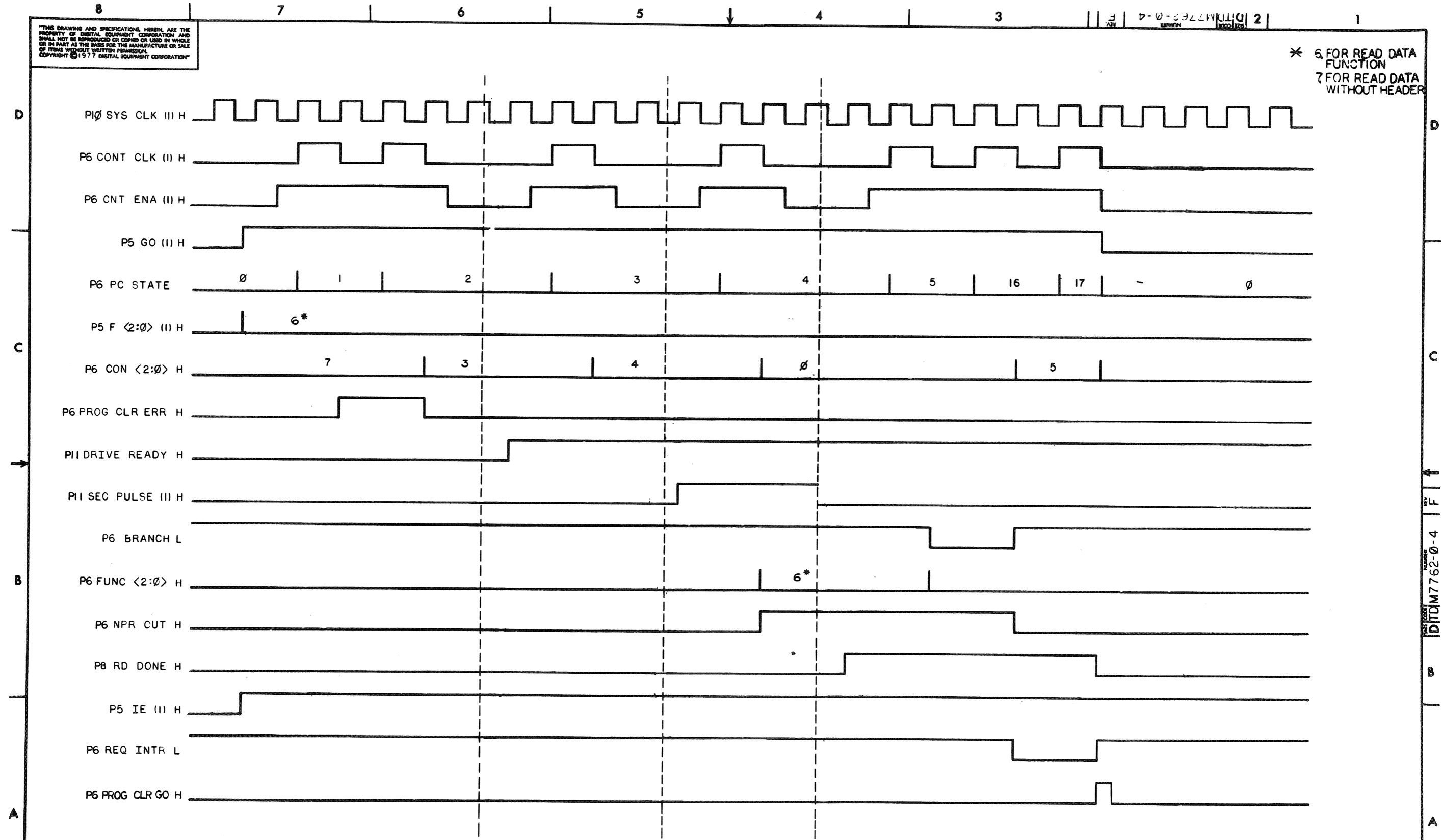
READ HEADER FUNCTION TIMING			
TITLE	RLII CONTROLLER TIMING DIAGRAM	SIZE CODE	D TD
NUMBER	M 7762-0-4	REV.	F
SCALE		SHEET	5 OF 13

REV. F M 7762-0-4 DTTD

THIS DRAWING AND SPECIFICATIONS HEREIN ARE THE PROPERTY OF DIGITAL EQUIPMENT CORPORATION AND SHALL NOT BE REPRODUCED OR COPIED OR USED IN WHOLE OR IN PART AS THE BASIS FOR THE MANUFACTURE OR SALE OF ITEMS WITHOUT WRITTEN PERMISSION. COPYRIGHT © 1977 DIGITAL EQUIPMENT CORPORATION

REV. F
 NUMBER DTD M7762-0-4
 SHEET 6 OF 13

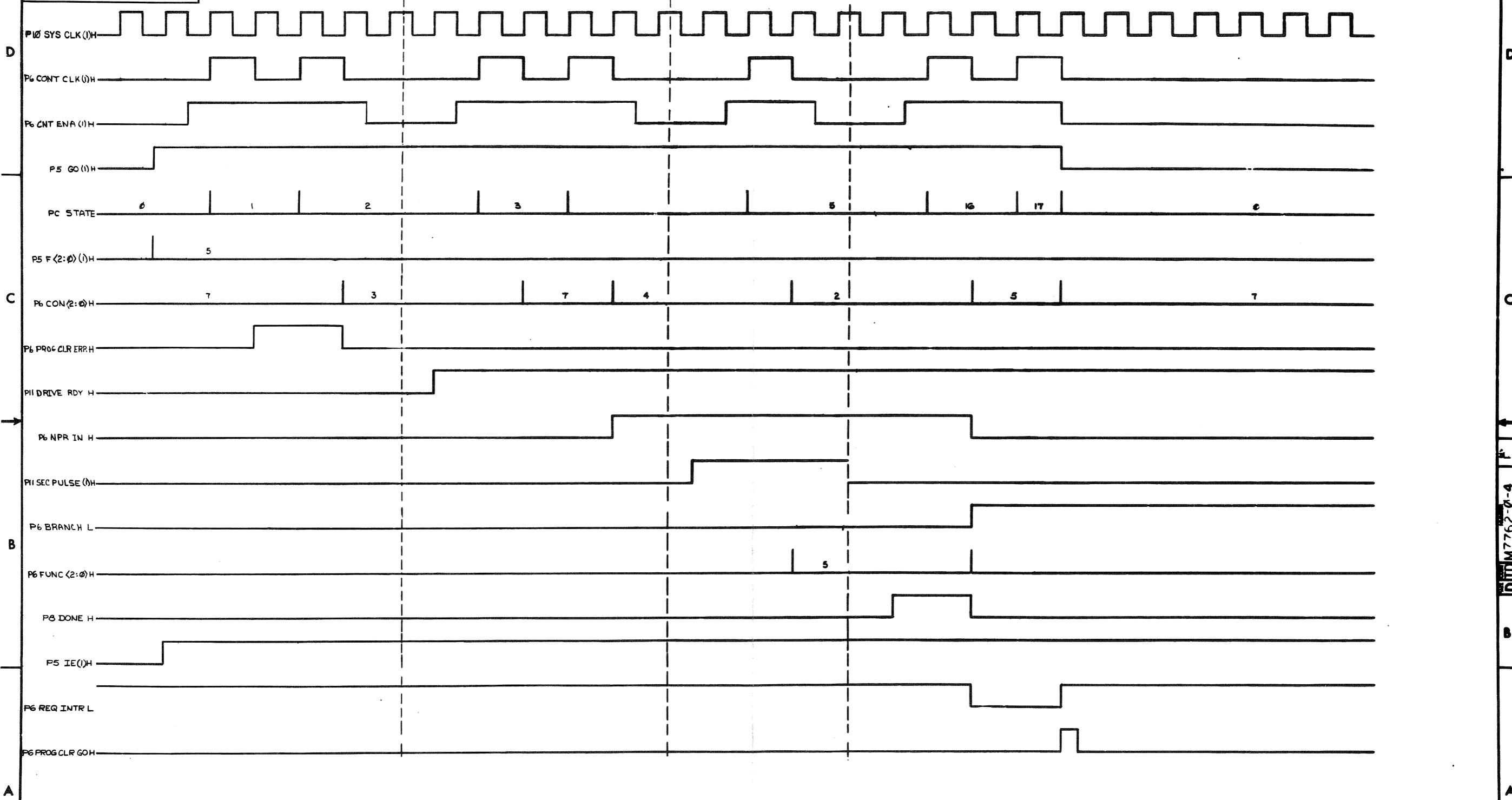
* 6 FOR READ DATA FUNCTION
 ? FOR READ DATA WITHOUT HEADER



REVISIONS		
CHK	CHANGE NO.	REV.

READ DATA FUNCTION TIMING		SIZE CODE	NUMBER	REV.
TITLE RLII CONTROLLER		DTD	M7762-0-4	F
TIMING DIAGRAM		DIST.		
SCALE NONE	SHEET 6 OF 13			

"THIS DRAWING AND SPECIFICATIONS, HEREIN, ARE THE PROPERTY OF DIGITAL EQUIPMENT CORPORATION AND SHALL NOT BE REPRODUCED OR COPIED OR USED IN WHOLE OR IN PART AS THE BASIS FOR THE MANUFACTURE OR SALE OF ITEMS WITHOUT WRITTEN PERMISSION. COPYRIGHT © 1977 DIGITAL EQUIPMENT CORPORATION"

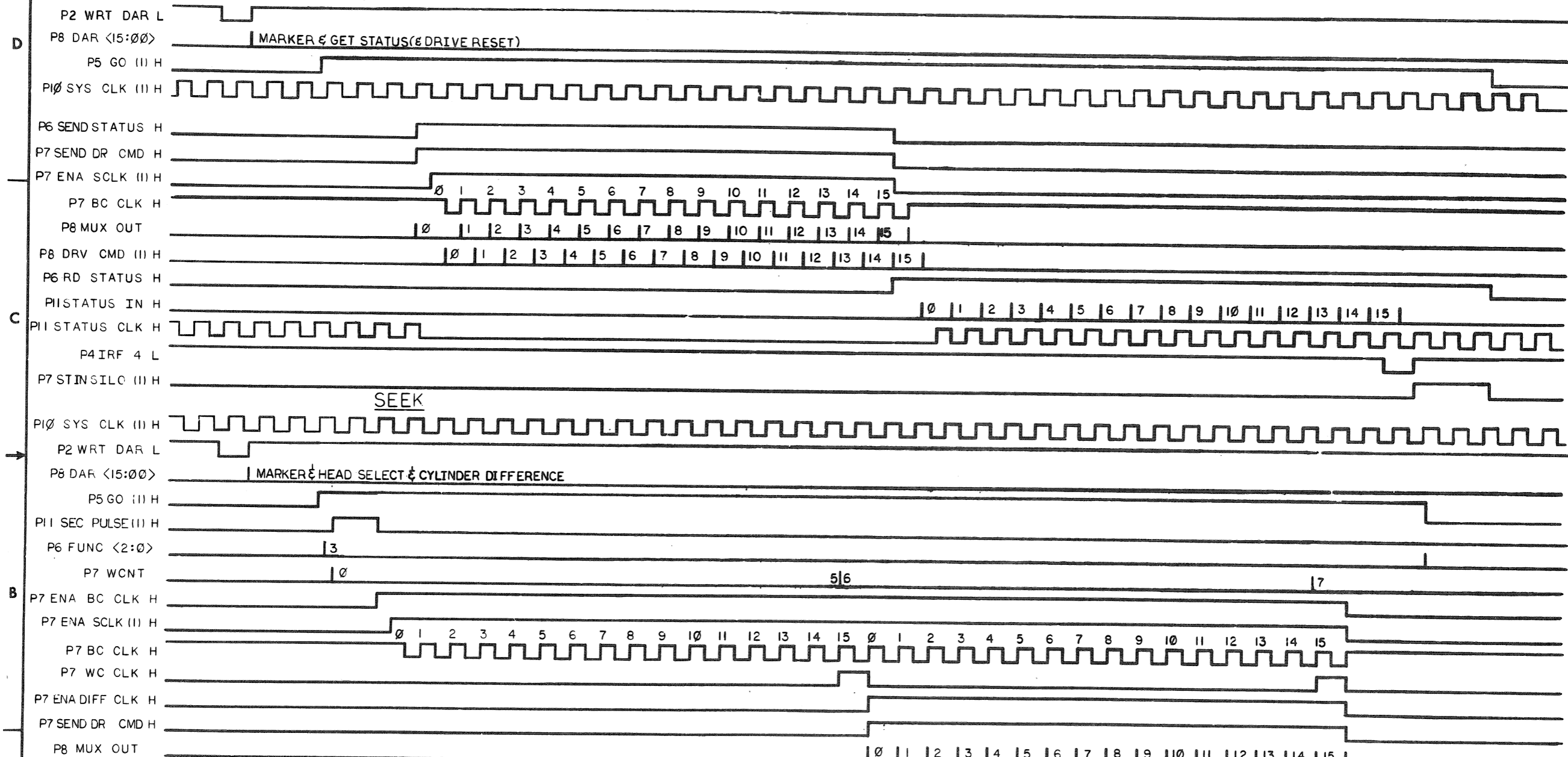


REVISIONS		
CHK	CHANGE NO.	REV.

WRITE DATA FUNCTION TIMING			
TITLE	RLII CONTROLLER	SIZE CODE	NUMBER
	TIMING DIAGRAM	DTD	M7762-0-4
SCALE	SHEET 7 OF 13	DST.	REV. F

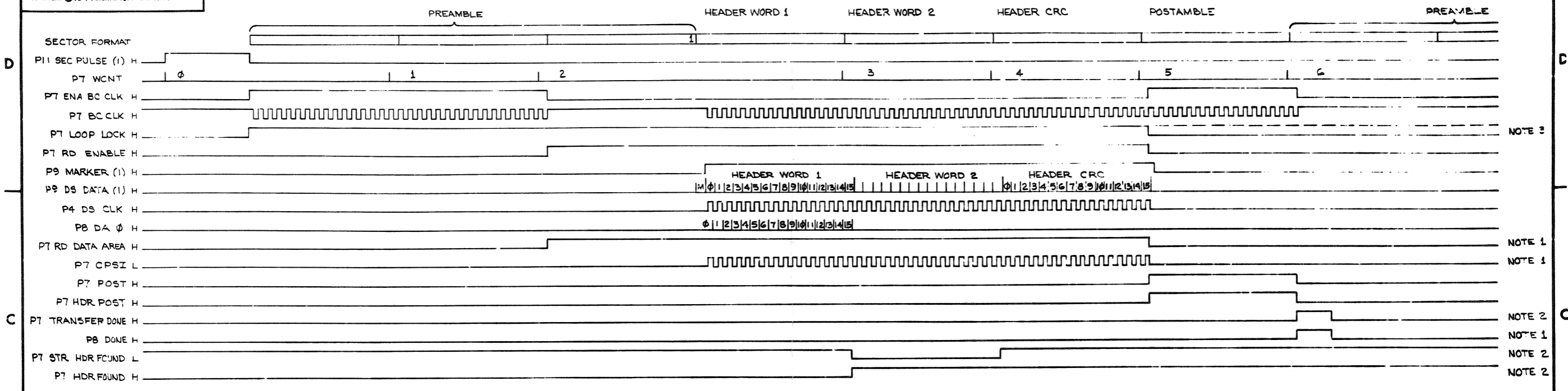
"THIS DRAWING AND SPECIFICATIONS HEREIN ARE THE PROPERTY OF DIGITAL EQUIPMENT CORPORATION AND SHALL NOT BE REPRODUCED OR COPIED OR USED IN WHOLE OR IN PART AS THE BASIS FOR THE MANUFACTURE OR SALE OF ITEMS WITHOUT WRITTEN PERMISSION. COPYRIGHT © 1977 DIGITAL EQUIPMENT CORPORATION"

GET STATUS



DIG M7762-0-4 F

"THIS DRAWING AND SPECIFICATIONS, HEREIN, ARE THE PROPERTY OF DIGITAL EQUIPMENT CORPORATION AND SHALL NOT BE REPRODUCED OR COPIED OR USED IN WHOLE OR IN PART AS THE BASIS FOR THE MANUFACTURE OR SALE OF ITEMS WITHOUT WRITTEN PERMISSION. COPYRIGHT © 1977 DIGITAL EQUIPMENT CORPORATION"



NOTE 1 THESE SIGNALS ARE ONLY ASSERTED DURING READ HEADER COMMAND
 NOTE 2 THESE SIGNALS ARE ONLY ASSERTED DURING HEADER COMPARE
 NOTE 3 ASSERTION OF LOOP LOCK IS CONTINUED DURING READ DATA COMMAND

REVISIONS		
CHK	CHANGE NO.	REV.

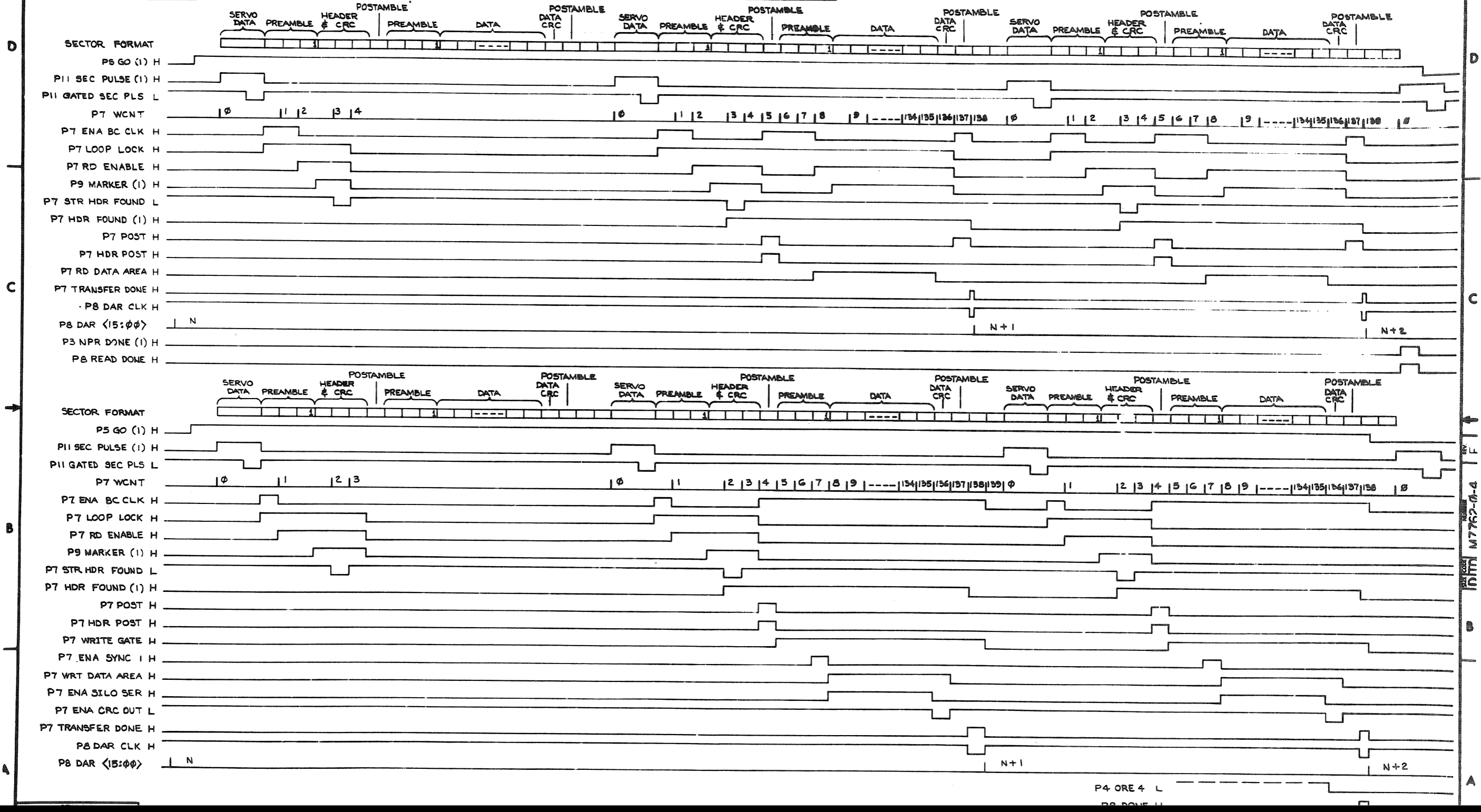
READ HEADER AND HEADER COMPARE FORMAT TIMING			
TITLE	RLII CONTROLLER TIMING DIAGRAM	SIZE CODE	D TD
NUMBER	M7762-0-4	REV.	F
SCALE	SHEET 9 OF 13	DIST.	

M7762-0-4

THIS DRAWING AND SPECIFICATIONS HEREIN ARE THE PROPERTY OF BENTON ELECTRONIC CORPORATION AND SHALL NOT BE REPRODUCED OR COPIED OR USED IN WHOLE OR IN PART AS THE BASIS FOR THE MANUFACTURE OR SALE OF ITEMS WITHOUT THE WRITTEN PERMISSION OF BENTON ELECTRONIC CORPORATION

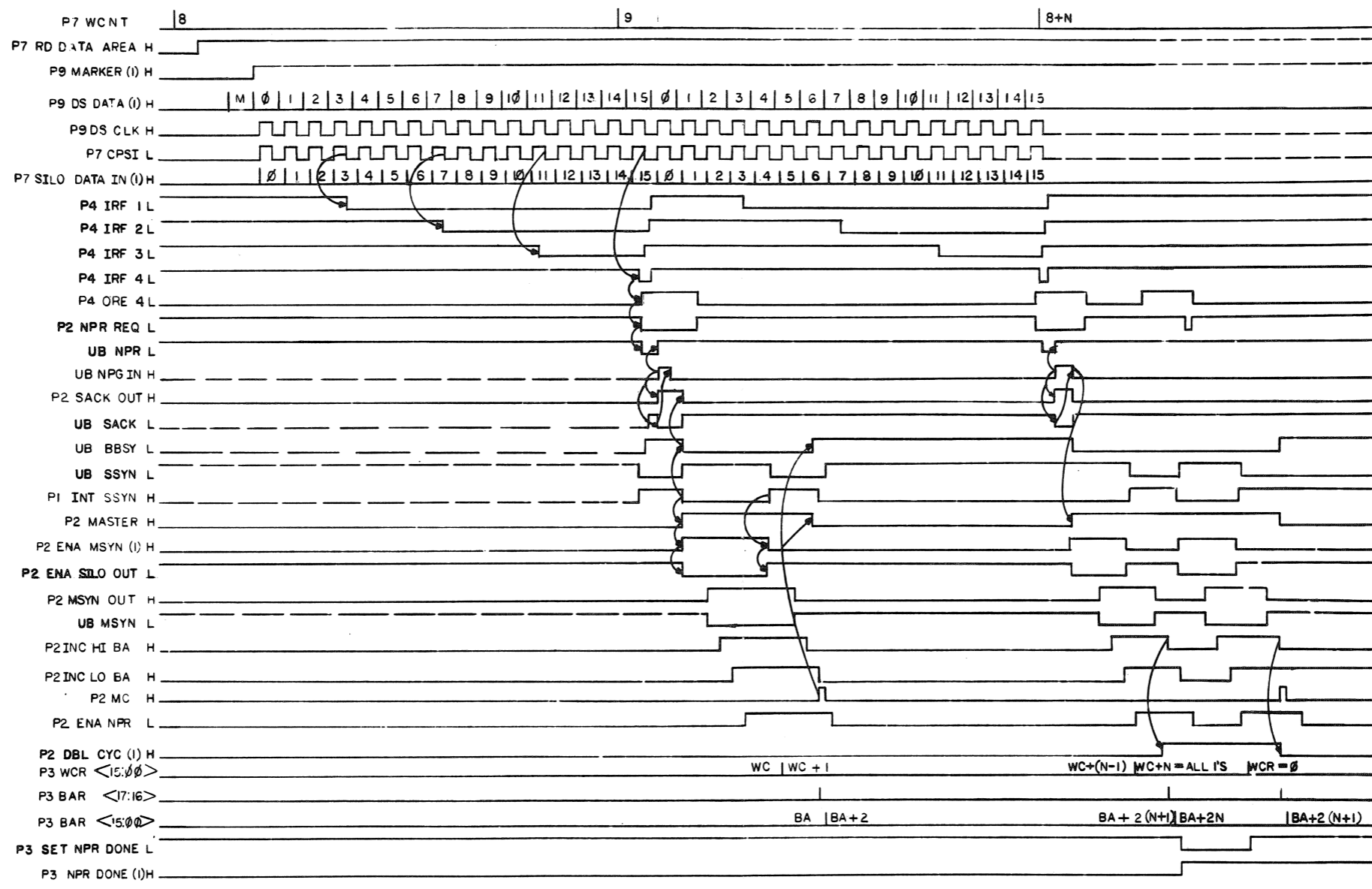
7-11-63 11777

READ DATA COMMAND



REV. 10/63 M7762-0-4

"THIS DRAWING AND SPECIFICATIONS, HEREIN, ARE THE PROPERTY OF DIGITAL EQUIPMENT CORPORATION AND SHALL NOT BE REPRODUCED OR COPIED OR USED IN WHOLE OR IN PART AS THE BASIS FOR THE MANUFACTURE OR SALE OF ITEMS WITHOUT WRITTEN PERMISSION. COPYRIGHT © 1977 DIGITAL EQUIPMENT CORPORATION"



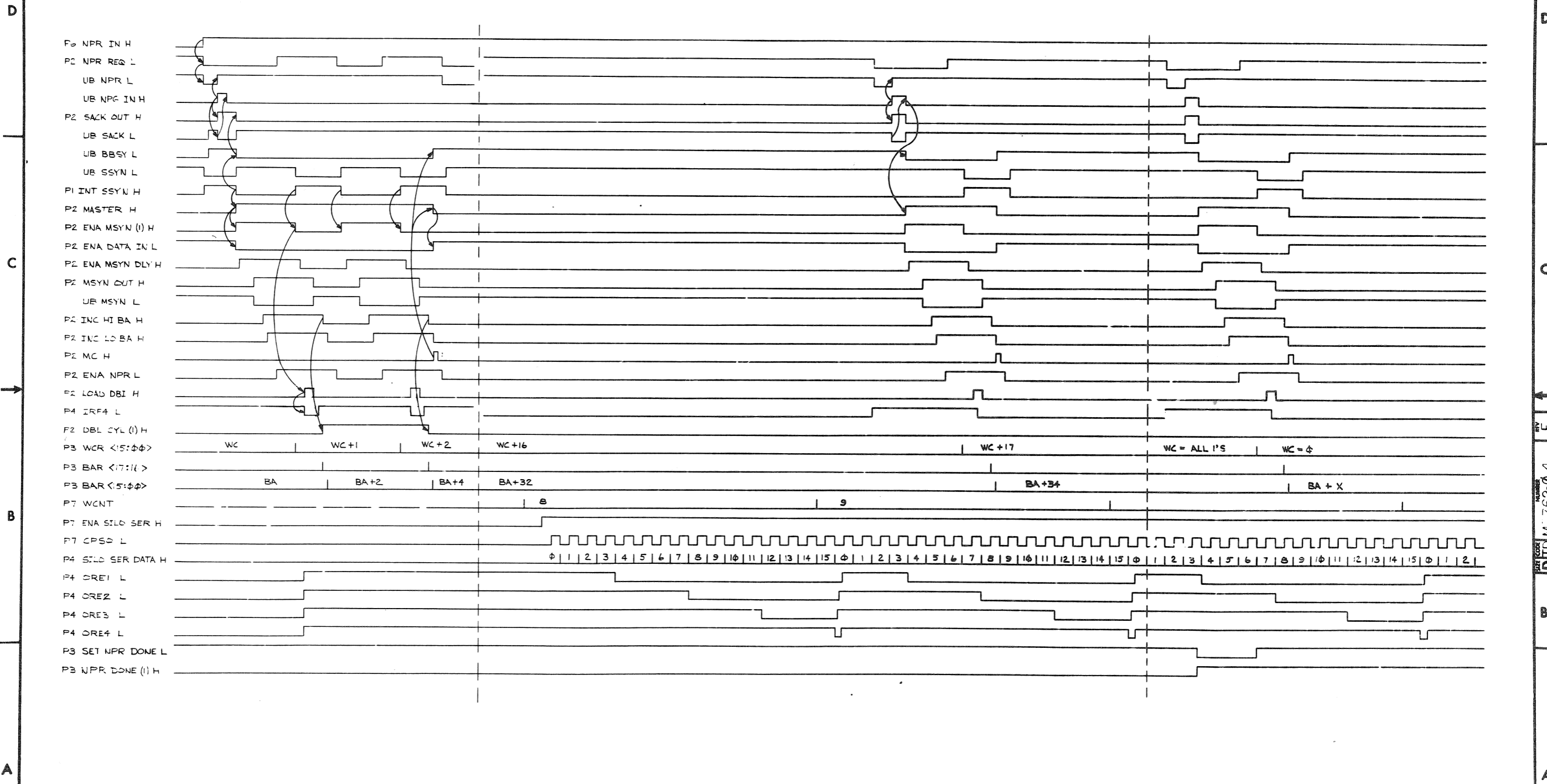
REVISIONS		
CHK	CHANGE NO.	REV.

READ DATA NPR & SILO TIMING

TITLE	RLII CONTROLLER TIMING DIAGRAM	SIZE CODE	D1D	NUMBER	M 7762-0-4	REV.	F
SCALE	1/1	SHEET	11	OF	13	DIST.	

REV. F
M 7762-0-4
D1D

"THIS DRAWING AND SPECIFICATIONS, HEREIN, ARE THE PROPERTY OF DIGITAL EQUIPMENT CORPORATION AND SHALL NOT BE REPRODUCED OR COPIED OR USED IN WHOLE OR IN PART AS THE BASIS FOR THE MANUFACTURE OR SALE OF ITEMS WITHOUT WRITTEN PERMISSION. COPYRIGHT © 1977 DIGITAL EQUIPMENT CORPORATION"



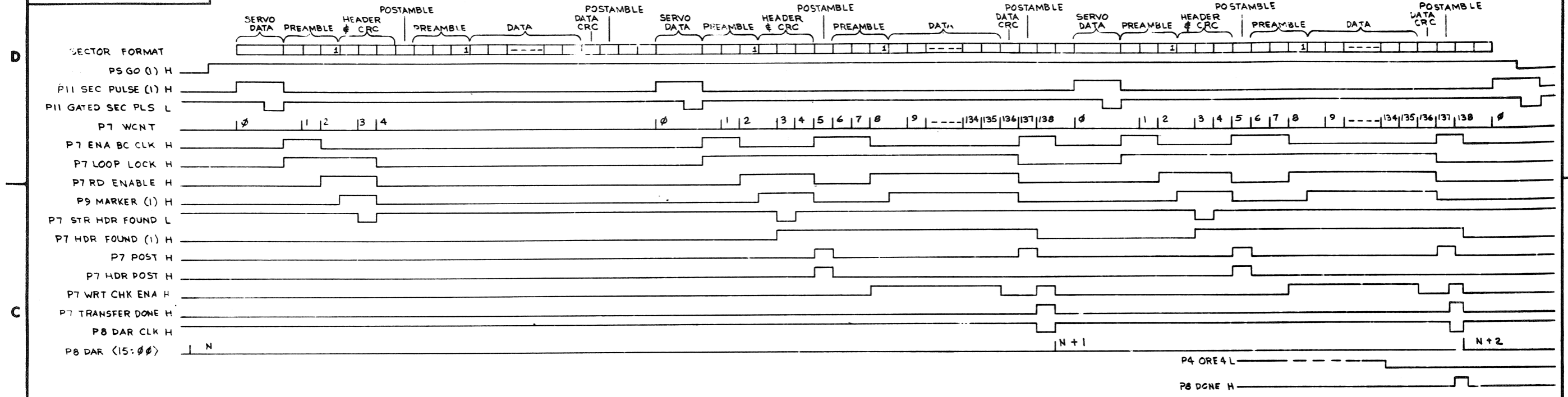
REVISIONS		
CHK	CHANGE NO.	REV.

WRITE DATA NPR & SILO TIMING

TITLE	RLII CONTROLLER TIMING DIAGRAM	SIZE CODE	D TD	NUMBER	M7762-0-4	REV.	F
SCALE		SHEET	12	OF	13.	DIST.	

THIS DRAWING AND SPECIFICATIONS HEREIN ARE THE PROPERTY OF DIGITAL EQUIPMENT CORPORATION AND SHALL NOT BE REPRODUCED OR COPIED OR USED IN WHOLE OR IN PART AS THE BASIS FOR THE MANUFACTURE OR SALE OF ITEMS WITHOUT WRITTEN PERMISSION.
 COPYRIGHT © 1977 DIGITAL EQUIPMENT CORPORATION

WRITE CHECK COMMAND



WRITE CHECK COMMAND FORMAT CONTROL TIMING

REVISIONS		
CHK	CHANGE NO.	REV.

TITLE	RLII CONTROLLER TIMING DIAGRAM	SIZE CODE	D TD	NUMBER	M7762-0-4	REV.	F
SCALE	1:1	SHEET	13	OF	13	DIST.	

**DIGITAL EQUIPMENT CORPORATION
MAYNARD, MASSACHUSETTS
PARTS LIST**

MADE BY F. CARBERRY	CHECKED R. CARBERRY	SECTION 1
DATE 2 JUN 76	DATE 2 JUN 76	
ENG C. LIU	PROD R. STROTT	ISSUED SECT. 1
DATE 12 APR 77	DATE 12 APR 77	

QUANTITY VARIATION

RL11-0																								

ITEM NO.	DWG NO./PART NO.	DESCRIPTION
1	E-UA-RL11-0-0	RL11 CONTROLLER ASSEMBLY
2	MPO0526	FIELD MAINTENANCE PRINT SET (RL11-AK)
3	MPO0153	FIELD MAINTENANCE PRINT SET (RL11-0)
4	23-751A9	M9312 ROM (BOOT STRAP BOARD)
5	9906228	PACKAGING CONTAINER (FOR ITEM 4)

TITLE SHIPPING LIST (RL11-0)	ASSY NO. B-DD-RL11-0	SIZE A	CODE PL	NUMBER RL11-0-4	REV B	ECO NO. RL11-CZ002
	SHEET 1 OF 1	DIST				

"THE MATERIAL HEREIN IS FOR INFORMATION PURPOSES ONLY AND IS SUBJECT TO CHANGE WITHOUT NOTICE. DIGITAL EQUIPMENT CORPORATION ASSUMES NO RESPONSIBILITY FOR ANY ERRORS WHICH MAY APPEAR HEREIN."

DRAWING DIRECTORY

"THIS DRAWING AND SPECIFICATIONS, HEREIN, ARE THE PROPERTY OF DIGITAL EQUIPMENT CORPORATION AND SHALL NOT BE REPRODUCED OR COPIED OR USED IN WHOLE OR IN PART AS THE BASIS FOR THE MANUFACTURE OR SALE OF ITEMS WITHOUT WRITTEN PERMISSION. COPYRIGHT © 1976, DIGITAL EQUIPMENT CORPORATION."

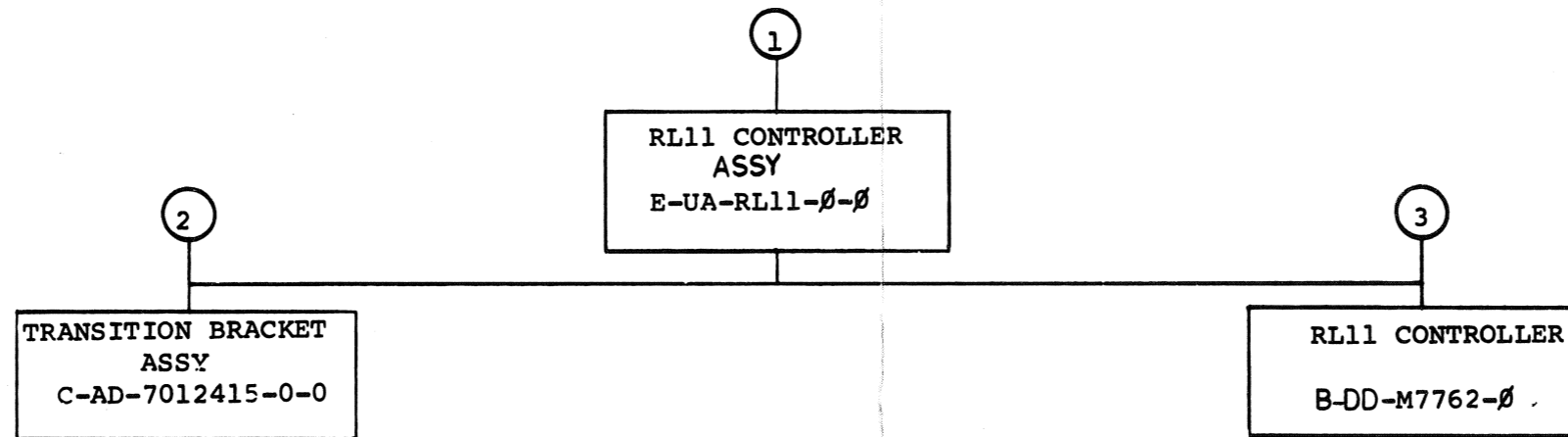
NOTE: FOR FIELD MAINTENANCE PRINT SET
SEE B-TC-RL11-0-2

UNIT VARIATIONS	
VAR	TITLE

REVISIONS	REV.
	CHANGE NO.
CHK	

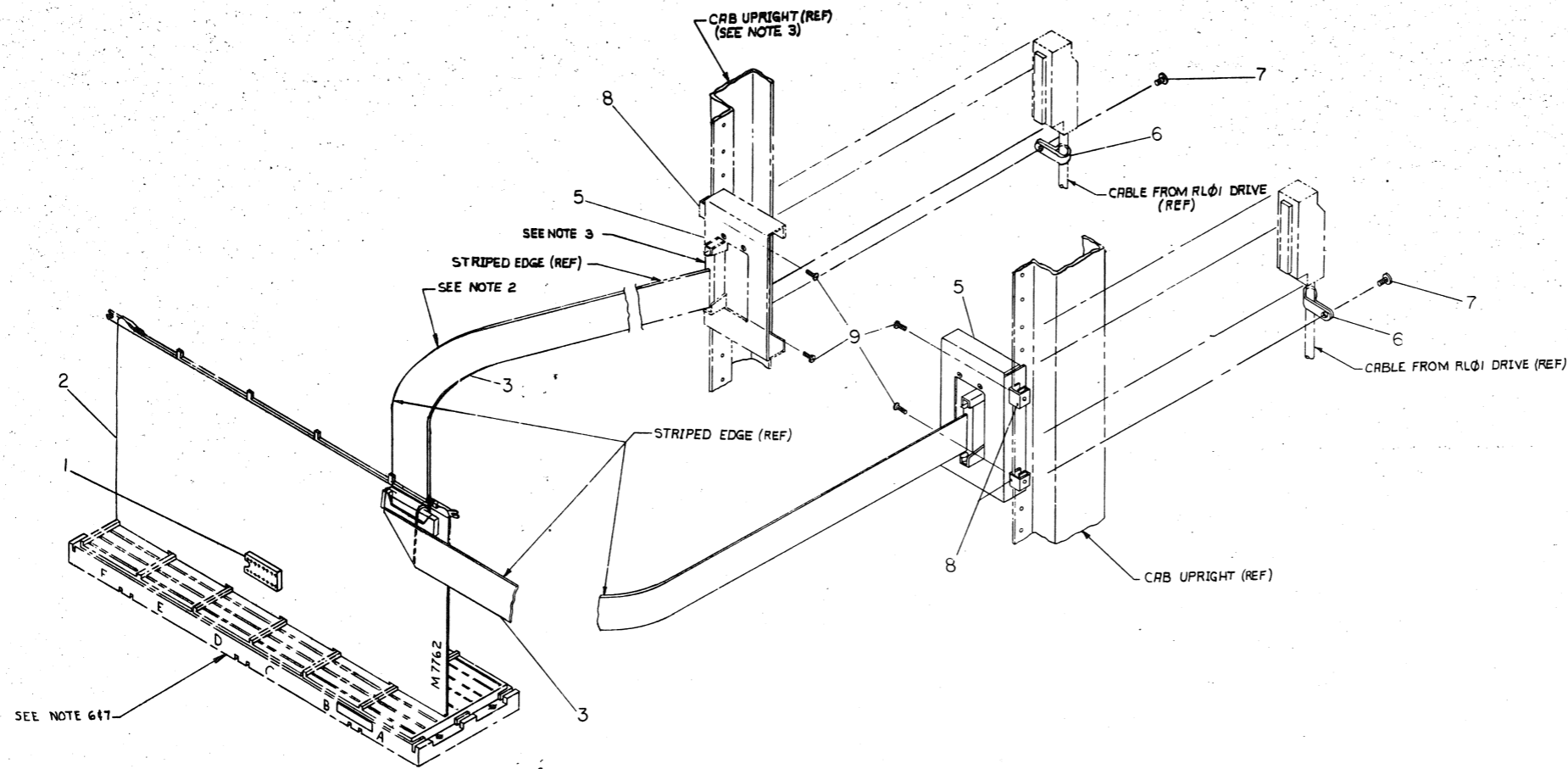
USED ON OPTION/MODEL	DRN.	DATE	TITLE	digital		
RL11	F. Carberry	2 JUN 76			RL11 CONTROLLER ASSY	
	CHK'D.	DATE				
	<i>F. Carberry</i>	2 JUN 76	SIZE	CODE	NUMBER	REV
	PROJ. ENG.	DATE	B	DD	RL11-0	*
	<i>D.T. Ellis</i>	12 APR 77	DIST.			
	PROD.	DATE				
	<i>R. J. [Signature]</i>	12 APR 77				
SHEET 1 OF 3						

EN-01062-1A-16-R37-2-(323)



TITLE	SHEET	OF	SIZE	CODE	NUMBER	REV
RL11 CONTROLLER ASSY	2	3	B	DD	RL11-Ø	*

THIS DRAWING AND INFORMATION HEREON ARE THE PROPERTY OF DIGITAL EQUIPMENT CORPORATION AND SHALL NOT BE REPRODUCED OR USED IN WHOLE OR IN PART AS THE BASIS FOR THE MANUFACTURE OF THIS EQUIPMENT © 1971, DIGITAL EQUIPMENT CORPORATION



- NOTES:**
1. TERMINATOR ASSY (ITEM #4) TO BE INSTALLED IN "CABLE CUT" LOCATION IN LAST DRIVE OF SUB-SYSTEM.
 2. WHEN INSTALLED IN BAIL OR BAIL EXPANSION BOX, BC08R CABLE (ITEM #3) SHOULD BE FOLDED 90° AND ROUTED UP OUT OF THE BOX AS SHOWN.
 3. WHEN ALTERNATE MOUNTING POSITION IS USED, CONNECTOR IN TRANSITION BRACKET MUST BE INVERTED SO THAT I/O CABLE FROM DRIVE WILL HANG IN A DOWNWARD POSITION AS SHOWN.
 4. ITEM #3 THRU ITEM #10 ARE NOT ASSEMBLED AT THIS POINT BUT MUST BE SHIPPED WITH UNIT FOR ASSEMBLY AT INSTALLATION.
 5. PRIORITY JUMPER ASSY (ITEM #1) TO BE PLUGGED INTO M7762 AT FINAL ASSY.
 6. THE RLII MODULE (M7762) WILL OCCUPY ONE HEX SPC SLOT.
 7. JUMPER WIRE FROM CA1 TO CB1 ON THE SPC BACKPLANE MUST BE REMOVED AT INSTALLATION.

REV.	DATE	BY	CHKD
1	11-10-71	J. L. L.	J. L. L.
2	1-15-72	J. L. L.	J. L. L.

DESCRIPTION	QUANTITY	ITEM NO.
1 UNIT SELECT PLUG KIT	1	A-RL-7012938-00
2 SCREW, PHL TRS #0-32x30W	2	9004073-03
2 NUT, SPRING #10-32	2	9007786-00
1 SCREW, TORX-TITE #8x35 LR	1	9006418-01
1 CLAMP CABLE	1	9007083-03
1 TRANSITION BRACKET ASSY	1	C-AD-7012415-0-0
1 TERMINATOR ASSY	1	J-IA-7012293-0-0
1 CABLE ASSY	1	D-U-V-BC03R-06
1 RLII CONTROLLER	1	D-UA-M7762-0-0
1 PRIORITY JUMPER ASSY	1	1-103778

THIRD ANGLE PROJECTION

REMOVE BURRS AND BREAK SHARP CORNERS

DO NOT SCALE DWG

MATERIAL LIST

FINISH

UNLESS OTHERWISE SPECIFIED DIMENSIONS ARE IN INCHES

ANGLE	CLASS OF FINISH	FINISH
90°	1	1
120°	2	2
150°	3	3
180°	4	4
210°	5	5
240°	6	6
270°	7	7
300°	8	8
330°	9	9
360°	10	10

TITLE: RLII CONTROLLER ASSY

SCALE: 1:1

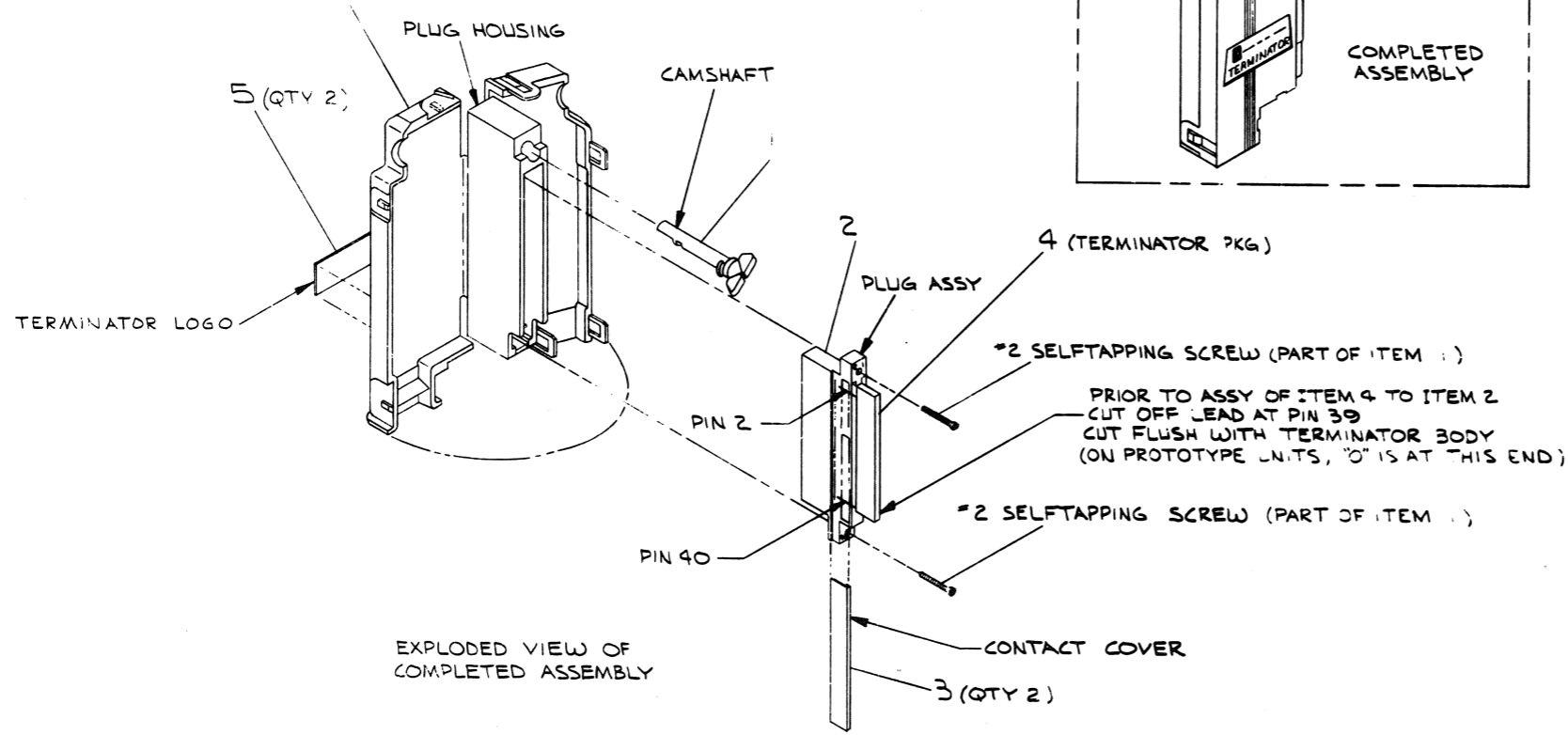
DATE: 11-10-71

BY: J. L. L.

CHKD: J. L. L.

APP'D: J. L. L.

"THIS DRAWING AND SPECIFICATIONS, HEREIN, ARE THE PROPERTY OF DIGITAL EQUIPMENT CORPORATION AND SHALL NOT BE REPRODUCED OR COPIED OR USED IN WHOLE OR IN PART AS THE BASIS FOR THE MANUFACTURE OR SALE OF ITEMS WITHOUT WRITTEN PERMISSION. COPYRIGHT © 1976, DIGITAL EQUIPMENT CORPORATION"



EXPLODED VIEW OF COMPLETED ASSEMBLY

2	LOGO, TERMINATOR	A-DC-7410678-0-0	3
1	TERMINATOR PKG	1313242-00	4
2	COVER, CONTACT	1211591-11	3
1	PLUG ASSY	1211591-07	2
1	CONN PLUG MSG & CAMSHAFT KIT	1211591-34	1

QUANTITY & VARIATION		DESCRIPTION	DWG./PART NO.	ITEM NO.
UNLESS OTHERWISE SPECIFIED DIMENSIONS ARE IN INCHES				
ANGLES	CLASS OF ACCURACY	NOMINAL DIMENSION RANGE INCHES		
30° 30'	(CHECK ONE)	OVER 0 TO 0.3	OVER 0.3 TO 1.3	OVER 1.3 TO 4.0
SURFACE QUALITY	IN	±.004	±.008	±.012
FINISH	MICROMETRES	±.012	±.016	±.025
	PREFERRED	±.012	±.016	±.025

THIRD ANGLE PROJECTION

REMOVE BURRS AND BREAK SHARP CORNERS

DO NOT SCALE DWG

MATERIAL SEE PARTS LIST

FINISH

CHK'D *[Signature]* 7-21-76

ENG. *[Signature]* 7-21-76

PROJ. ENG. *[Signature]* 5/13/76

PROD. *[Signature]* 6/1/76

FIRST USED ON RKG6

TITLE TERMINATOR ASSY

SIZE CODE D

SCALE: NONE

SHEET 1 OF 1

DIST.

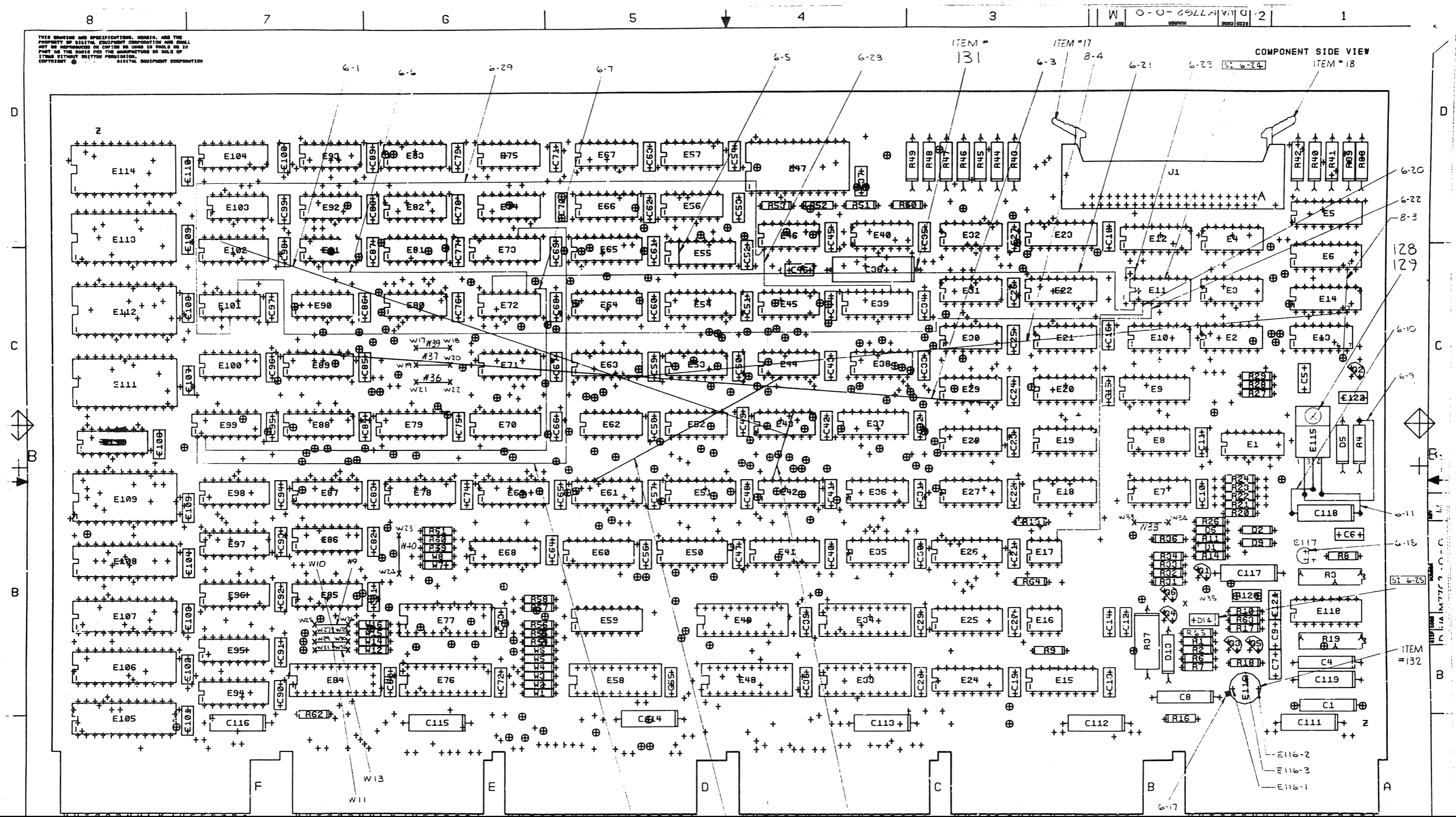
REV. A

REV.	DATE	BY	APP.
1	7/21/76	W. DUNHAM	
2	9/25/76		

702293-00001 A

DIGITAL 12293-0-0 A

THIS DRAWING AND SPECIFICATIONS, HEREIN, ARE THE PROPERTY OF BACALIA EQUIPMENT CORPORATION AND SHALL NOT BE REPRODUCED OR COPIED IN WHOLE OR IN PART OR THE BASIS FOR THE MANUFACTURE OR SALE OF ITEMS WITHOUT WRITTEN PERMISSION. BACALIA EQUIPMENT CORPORATION



THIS DRAWING AND SPECIFICATION HEREIN ARE THE PROPERTY OF DIGITAL EQUIPMENT CORPORATION AND SHALL NOT BE REPRODUCED OR COPIED OR USED IN WHOLE OR IN PART AS THE BASIS FOR THE MANUFACTURE OR SALE OF ITEMS WITHOUT THE WRITTEN PERMISSION OF DIGITAL EQUIPMENT CORPORATION. COPYRIGHT ©

8 7 6 5 4 3

LAYER 1

M7762
6012167H-P1

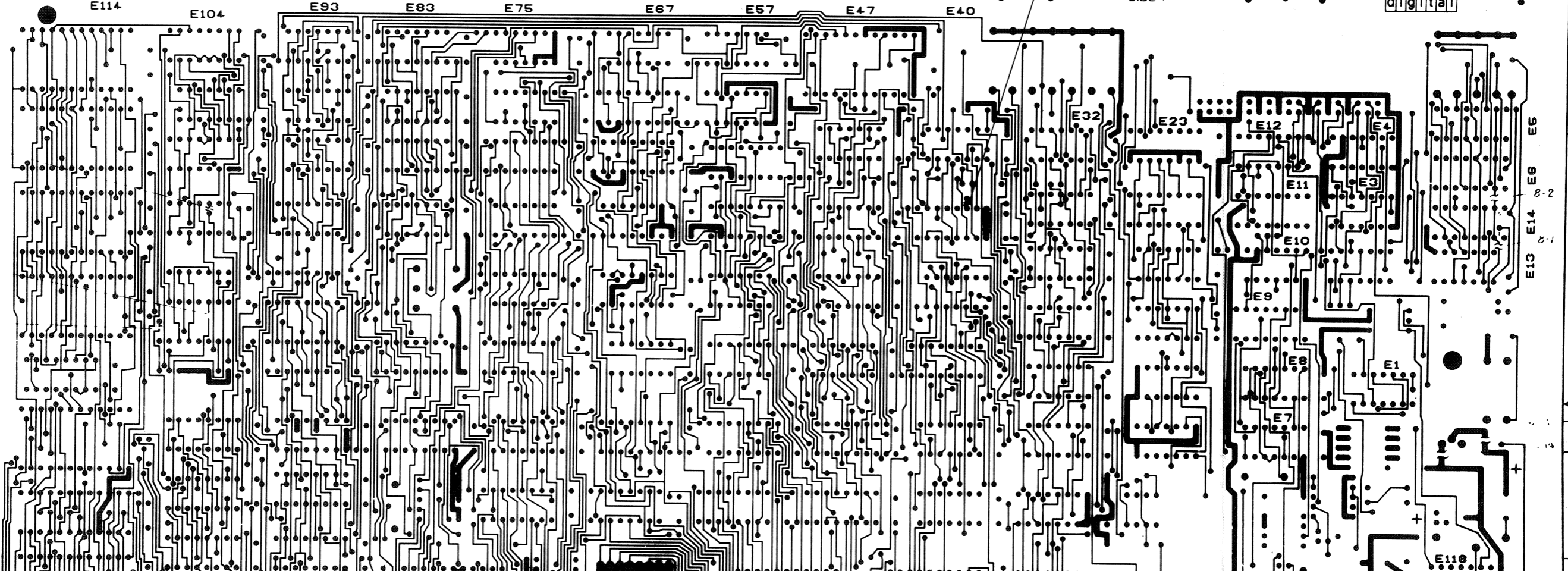
L1

6-27

SIDE 1

digital

CS*ABCDEFGHIJKLMNPRS



M7762 - M

8

7

6

5

4

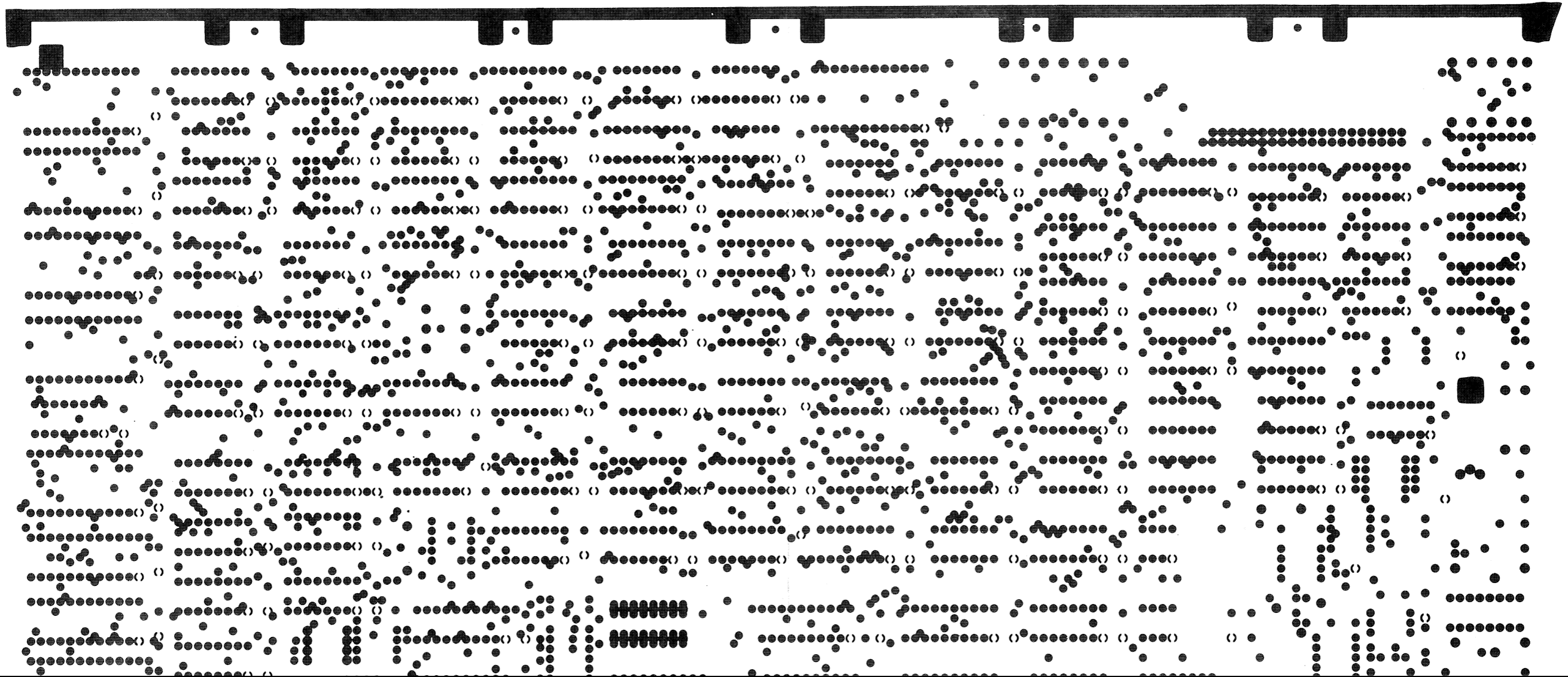
3

LAYER 12

L2

M7762
5012167H-P1

THIS DRAWING AND SPECIFICATIONS HEREIN ARE THE PROPERTY OF DIGITAL EQUIPMENT CORPORATION AND SHALL NOT BE REPRODUCED OR COPIED IN WHOLE OR IN PART AS THE BASIS FOR THE MANUFACTURE OR SALE OF ITEMS WITHOUT THE WRITTEN PERMISSION OF DIGITAL EQUIPMENT CORPORATION



D

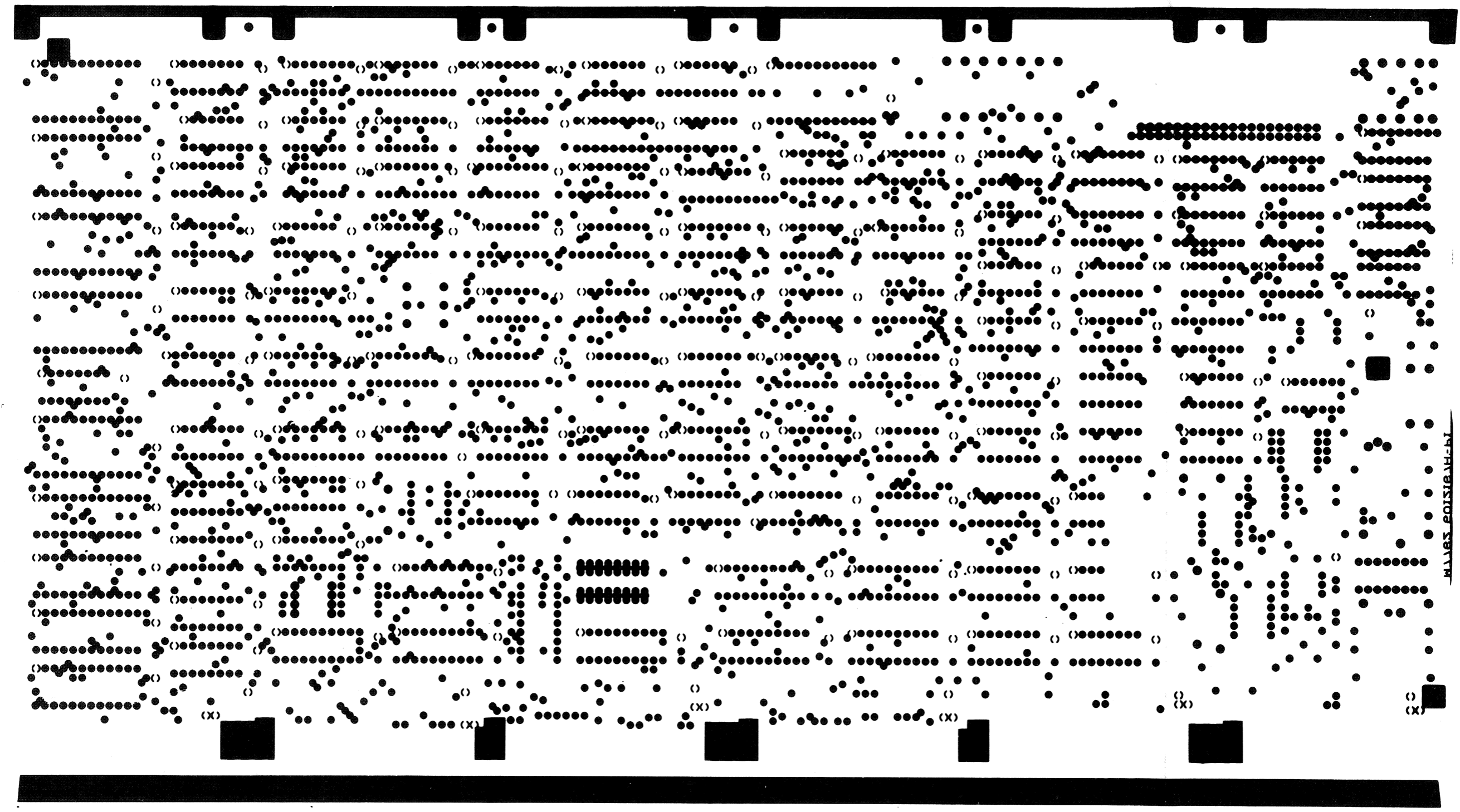
C

D

DUA M7762

LAYER 3

THIS DRAWING AND SPECIFICATIONS ARE THE PROPERTY OF DIGITAL EQUIPMENT CORPORATION AND SHALL NOT BE REPRODUCED IN ANY MANNER IN WHOLE OR IN PART WITHOUT THE WRITTEN PERMISSION OF DIGITAL EQUIPMENT CORPORATION.



PL111 CONTROLLER

REVISIONS		
CHK	CHANGE NO	REV.

8

7

6

5

4

3

M

2

1

THIS DRAWING AND SPECIFICATIONS HEREIN ARE THE PROPERTY OF DIGITAL EQUIPMENT CORPORATION AND SHALL NOT BE REPRODUCED OR COPIED OR USED IN WHOLE OR IN PART AS THE BASIS FOR THE MANUFACTURE OR SALE OF ITEMS WITHOUT WRITTEN PERMISSION. DIGITAL EQUIPMENT CORPORATION COPY 147

LAYER 2

L4

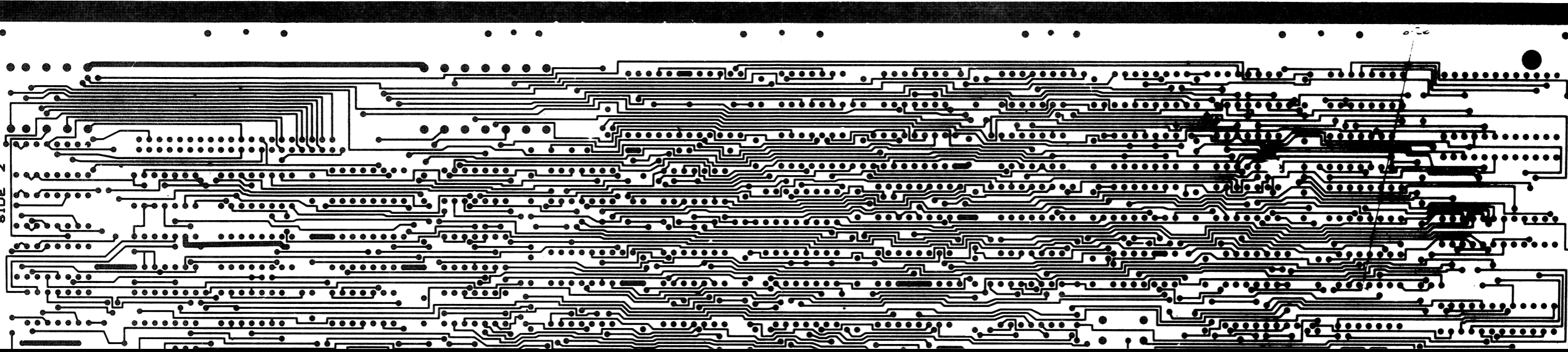
11 CONTROLLER SIDE 2

D

D

C

C



THIS DRAWING AND SPECIFICATIONS HEREIN ARE THE PROPERTY OF DIGITAL EQUIPMENT CORPORATION AND SHALL NOT BE REPRODUCED OR COPIED OR USED IN WHOLE OR IN PART AS THE BASIS FOR THE MANUFACTURE OR SALE OF ITEMS WITHOUT WRITTEN PERMISSION. COPYRIGHT © 1976, DIGITAL EQUIPMENT CORPORATION

RE WORK INSTRUCTIONS:

- WIRE ADDS:
- 6-1. E43-5 TO E102-15
 - 6-2. E42-13 TO E43-10
 - 6-3. E29-6 TO E89-15
 - 6-4. E61-14 TO E44-3
 - 6-5. E55-2 TO E55-15
 - 6-6. E91-3 TO E72-9
 - 6-7. F72-8 TO E99-2
 - 6-8. E99-1 TO E73-11
 - 6-9. E115-1 TO TOP OF R4
 - 6-10. E115-3 TO GROUND SIDE (LEFT) OF C118
 - 6-11. E115-2 TO POSITIVE SIDE (RIGHT) OF C118

- ETCH CUTS:
- 6-12. SIDE 2 AT E115-PIN 2
 - 6-13. SIDE 1 AT E115-PIN 3 (CENTER PIN)
 - 6-14. SIDE 1 AT E115-PIN 1
 - 6-15. SIDE 1 FROM E99-1 TO E64-1 (AT FEED-THRU ABOVE E99-16)
 - 6-16. SIDE 1 FROM E100-5 TO E99-2 (AT E100-5)
 - 6-17. FOR PROPER INSTALLATION OF E116 REFER TO ORIENTATION TAB AND PINNING CALLOUT ON PAGE ONE OF DUA-M7762-0-0 REV K.
 - 6-18. INSTALL E117 WITH ORIENTATION FLAT TOWARD RB. CENTER TERMINAL OF E117 GOES INTO HOLE CLOSEST TO RB.
 - 6-19. SIDE 1 FROM E101-10 TO E46-1 AT E101-10 UNDER CHIP BETWEEN FEED-THRU (NOTE: PERFORM CUT BEFORE ASSEMBLING COMPONENTS TO BOARD).

- WIRE ADDS (CONT):
- 6-20. E11-2 TO E17-5
 - 6-21. E11-1 TO E72-13
 - 6-22. E11-3 TO E101-10
 - 6-23. E11-14 TO PIN 16 OF E11 LOCATION

- SPECIAL INSTRUCTIONS:
- 6-24. INSTALLATION OF E11 MUST BE MADE SO PIN 1 OF IC (74S32) IS AT PIN 2 OF E11 LOCATION.
 - 6-25. D14 MUST BE HAND INSERTED DUE TO HOLE SPACING IN BOARD (NOTE ORIENTATION MARK ON D14)

- ETCH CUTS:
- 6-26. SIDE 2 AT E101-4
 - 6-27. SIDE 1 AT E39-11

- WIRE ADDS:
- 6-28. E46-1 TO E39-11
 - 6-29. E46-1 TO E101-4

- ETCH CUTS:
- 8-1. SIDE 1 AT E14-7 BETWEEN E13 & E14
 - 8-2. SIDE 1 AT E14-10 BETWEEN E14 & E6

- WIRE ADDS:
- 8-3. FROM FEED THRU NEAR E13-6 & E13-7 TO E6-7
 - 8-4. E63-6 TO E14-7

REVISIONS		
CHK	CHANGE NO.	REV.

TITLE	SIZE CODE	NUMBER	REV.
RELAY CONTROLLER	DUA	M7762-0-0	M
SCALE 2/1	SHEET 6 OF 6	DIST.	

REV. A
 DUA M7762-0-0
 DATE CODE

DIGITAL EQUIPMENT CORPORATION PARTS LIST				QUANTITY / VARIATION										NOTES:			
MADE BY D. MAYUSKI DATE 7 MAR 77		CHECKED P. BOSSMAN DATE 29 MAR 77		SECTION 1										USED ON: OPTION/MODEL RL11			
ENG C. LIU DATE 8 APR 77		PROD R. STROTT DATE 8 APR 77		ISSUED SECTION 1													
ITEM NO.	DRAWING NO.	PART NO.	DESCRIPTION														REF DESIGNATION
	D-CS-M7762-0-1		CIRCUIT SCHEMATIC	REF													
	D-UA-M7762-0-0		UNIT ASSEMBLY	REF													
	D-DD-M7762-0		DRAWING DIRECTORY	REF													
	D-MD-5012167-0-0		DRILL AND ETCH DRAWING	REF													
1		5012167	ETCHED CIRCUIT BOARD	1													
2																	
3		1001610-00	CAP., 01UFD, 50V	103													C5, C6, C7, C10-C16, C18-C35, C47-C110, C120, C37-C45, C121
4		1005306-00	CAP., 6.8UFD, 35V, 10%	8													C1, C8, C111-C116
5		1000042-00	CAP., 1000PFD, +5%, 100V, DIPPED MICA	1													C46
6		1004812-00	CAP., 15MFD, 20V	3													C117, C118, C119
7		1000010-00	CAP., 39PFD, 100V	1													C9
8		11-1411	DIODE, 1N4152	1													D14
9		1012121-00	CAP., 220PFD, 100V	1													C3
10		1000050-00	CAP., .033UFD, 100V, 10%	1													C4
11		1111577-00	DIODE, 1N4454	4													D1, D2, D6, D9
12		1110994-00	DIODE, 1N751A	2													D5, D13
13																	
14																	
15		1209838-00	SOCKET, PRIORITY JUMPER, 16 PIN	1													E59
16		1209941-02	CONN., 40 PIN	1													J1
17		1209941-03	CONN., LATCH LEFT	1													
18		1209941-04	CONN., LATCH RIGHT	1													
19		1210711-02	HANDLE, ASSEMBLY	1													
20		1300005-05	RES., NETWORK 13-82 RES. 5%	1													E13
21		1309143-09	RES. POT, 3/4W, 5K, 10%	2													R3, R19
22		1301781-00	RES., 82, 1/2W, 5%	12													R38-R49
23		1301424-00	RES., 680, 1/2W, 5%	6													R16, R20, R53, R60, R61, R52

E.C.O. NO.
M7762-00001
M7762-00002
M7762-00003
M7762-00004
M7762-00005
M7762-00006
M7762-00009

"THIS DRAWING AND SPECIFICATIONS, HEREIN, ARE THE PROPERTY OF DIGITAL EQUIPMENT CORPORATION AND SHALL NOT BE REPRODUCED OR COPIED OR USED IN WHOLE OR IN PART AS THE BASIS FOR THE MANUFACTURE OR SALE OF ITEMS WITHOUT WRITTEN PERMISSION. COPYRIGHT © 1978, DIGITAL EQUIPMENT CORPORATION"

TITLE
RL11 CONTROLLER

ASSY NO.
D-UA-M7762-0-0

SHEET 1 OF 5

SIZE B
CODE PL
NUMBER M7762-0-0

INSERTION PARTS LIST DATA BASE REV

REV.
L

DIGITAL EQUIPMENT CORPORATION PARTS LIST

QUANTITY / VARIATION

NOTES:

USED ON: OPTION/MODEL RL11

MADE BY DATE	D. MAYUSKI 7 MAR 77	CHECKED DATE	P. BOSSMAN 29 MAR 77	SECTION 1
ENG DATE	C. LIU 8 APR 77	PROD DATE	R. STROTT 8 APR 77	ISSUED SECTION 1

ITEM NO.	DRAWING NO.	PART NO.	DESCRIPTION	QTY	VAR	QTY	VAR	QTY	VAR	QTY	VAR	QTY	VAR	QTY	VAR	QTY	VAR	REF DESIGNATION
24		1300295-00	RES., 330, 1/4W, 5%	3														R27, R34, R62
25		1311522-00	RES., 200, 1/4W, 5%	1														R28
26		1311422-00	RES., 178, 1/4W, 1%	4														R54, R55, R58, R59
27		1305125-00	RES., 383, 1/4W, 1%	2														R56, R57
28		1300229-00	RES., 100, 1/4W, 5%	2														R29, R13
29		1300262-00	RES., 180, 1W, 5%	1														R37
30																		
31																		
32		1 2858-00	RES., 100, 1/4W, 1%	2														R2, R6
33																		
34		13-05226-00	RES., 68.1, 1/4W, 1%	1														R1
35		1300274-00	RES., 220, 1/2W, 5%	1														R4
36		1310630-00	RES., 1.33K, 1/4W, 1%	1														R7
37		1302871-00	RES., 1.21K, 1/4W, 1%	1														R10
38		1302685-00	RES., 909, 1/4W, 1%	1														R11
39		1300417-00	RES., 2.2K, 1/4W, 5%	1														R12
40		1301972-00	RES., 270, 1/4W, 5%	1														R15
41		1300411-00	RES., 2K, 1/4W, 1%	2														R17, R63
42																		
43		1300365-00	RES., 1K, 1/4W, 5%	1														R33
44																		
45																		
46		1300447-00	RES., 4.7K, 1/4W, 5%	1														R51
47		1300271-00	RES., 220, 1/4W, 5%	1														R32
48		1302388-00	RES., 2K, 1/4W, 5%	1														R35
49		1302177-00	RES., 47K, 1/4W, 5%	1														R50
50		1302397-00	RES., 180K, 1/4W, 5%	1														R51

E.C.O. NO.																	
------------	--	--	--	--	--	--	--	--	--	--	--	--	--	--	--	--	--

"THIS DRAWING AND SPECIFICATIONS, HEREIN, ARE THE PROPERTY OF DIGITAL EQUIPMENT CORPORATION AND SHALL NOT BE REPRODUCED OR COPIED OR USED IN WHOLE OR IN PART AS THE BASIS FOR THE MANUFACTURE OR SALE OF ITEMS WITHOUT WRITTEN PERMISSION. COPYRIGHT © 1979 DIGITAL EQUIPMENT CORPORATION"	TITLE RL11 CONTROLLER	ASSY NO. D-UA-M7762-0-0	SIZE B	CODE PL	NUMBER M7762-0-0	REV. L
		SHEET 2 OF 5	INSERTION PARTS LIST DATA BASE REV			

DIGITAL EQUIPMENT CORPORATION PARTS LIST				QUANTITY / VARIATION										NOTES:							
MADE BY DATE		D. MAYUSKI 7 MAR 77		CHECKED DATE		P. BOSSMAN 29 MAR 77		SECTION		1		USED ON: OPTION/MODEL RL11									
ENG DATE		C. LIU 8 APR 77		PROD DATE		R. STROTT 8 APR 77		ISSUED SECTION		1											
ITEM NO.	DRAWING NO.	PART NO.	DESCRIPTION																REF DESIGNATION		
51																					
52		1503409-01	TRANS., 2N6534B	1															Q2		
53		15-03121-00	TRANS., 2N2369	1															Q3		
54		1513490-00	TRANS., 2N4403	4															Q1, Q4, Q5, Q6		
55		1614666-00	DELAY LINE, 500 NS 10 TAP	1															E18		
56		1610033-00	DELAY LINE, 100 NS 9 TAP	1															E9		
57		1611243-00	DELAY LINE, 250 NS 10 TAP	1															E19		
58		1614159-00	DELAY LINE, 50 NS 10 TAP	1															E22		
59		1811660-1	MOTOROLA OSC., 8.2MHz	1															E35		
60																					
61		1905547-00	I.C., DEC 7474	1															E67		
62		1910153-00	I.C., 74150	1															E109		
63		1914072-00	I.C., 74159	1															E47		
64		1910650-00	I.C., DEC 74161	4															E98, E99, E104, E110		
65		1909061-00	I.C., DEC 74H52	1															E80		
66		1910532-00	I.C., DEC 74S00	2															E7, E32		
67		1913312-00	I.C., 7428	1															E29		
68		1910534-00	I.C., DEC 74S04	4															E20, E27, E30, E43		
69		1910536-00	I.C., DEC 74S10	1															E8		
70		1911712-00	I.C., 74S51	1															E74		
71		1910544-00	I.C., DEC 74S74	6															E21, E31, E66, E53, E56, E28		
72		1910545-00	I.C., DEC 74S112	1															E63		
73		1911911-00	I.C., DEC 74S124	1															E118		
74		1912799-00	I.C., DEC 74LS00	3															E38, E45, E2		
75		1912801-00	I.C., DEC 74LS02	2															E46, E81		
76		1912803-00	I.C., DEC 74LS04	2															E72, E92		
77		1912805-00	I.C., DEC 74LS08	3															E1, E40, E71		

E.C.O. NO.	"THIS DRAWING AND SPECIFICATIONS, HEREIN, ARE THE PROPERTY OF DIGITAL EQUIPMENT CORPORATION AND SHALL NOT BE REPRODUCED OR COPIED OR USED IN WHOLE OR IN PART AS THE BASIS FOR THE MANUFACTURE OR SALE OF ITEMS WITHOUT WRITTEN PERMISSION. COPYRIGHT © 1978 DIGITAL EQUIPMENT CORPORATION"			TITLE	ASSY NO.	SIZE	CODE	NUMBER	REV.
				RL11 CONTROLLER	D-UA-M7762-0-0	B	PL	M7762-0-0	L
					SHEET	3 OF 5		INSERTION PARTS LIST DATA BASE REV	

DIGITAL EQUIPMENT CORPORATION PARTS LIST				QUANTITY / VARIATION										NOTES:			
MADE BY D. MAYUSKI DATE 7 MAR 77		CHECKED P. BOSSMAN DATE 29 MAR 77												USED ON: OPTION/MODEL RL11			
ENG C. LIU DATE 8 APR 77		PROD R. STROTT DATE 8 APR 77															
		SECTION 1															
		ISSUED SECTION 1															
ITEM NO.	DRAWING NO.	PART NO.	DESCRIPTION														REF DESIGNATION
78		1912808-00	I.C., DEC 74LS11	1													E36
79		1912810-00	I.C., DEC 74LS20	1													E62
80		1912816-00	I.C., DEC 74LS32	3													E42, E52, E91
81		1912820-00	I.C., DEC 74LS51	3													E44, E82, E93
82		1912824-00	I.C., DEC 74LS74	3													E57, E90, E103
83		1912829-00	I.C., DEC 74LS86	1													E83
84		1912834-00	I.C., DEC 74LS112	2													E12, E54
85		1912837-00	I.C., DEC 74LS123	1													E39
86		1911676-00	I.C., DEC 74S139	2													E37, E70
87		1912844-00	I.C., DEC 74LS151	1													E102
88		1912845-00	I.C., DEC 74LS153	2													E23, E65
89		1912697-00	I.C., DEC 74LS174	1													E88
90		1912854-00	I.C., DEC 74LS193	4													E24, E25, E85, E86
91		1912696-00	I.C., DEC 74LS194A	1													E64
92		1912864-00	I.C., 74LS279	1													E73
93		1910268-00	I.C., DEC 75107B	3													E3, E4, E10
94		1911341-00	I.C., DEC 75113	3													E5, E6, E14
95		1911527-00	I.C., DEC 8097	3													E61, E87, E89
96		1912951-00	I.C., 8556	9													E50, E51, E60, E68, E78, E94-E97
97		1911579-00	I.C., DEC 8641	3													E15, E26, E69
98		1912083-00	I.C., DEC 8647	2													E41, E79
99		1909713-00	I.C., DEC 8815	1													E100
100		1913474-00	I.C., 9401	1													E75
101		1913475-00	I.C., 9403	4													E105-E108
102		1913040-00	I.C., DC005	8													E33, E34, E49, E48, E58, E76, E77, E84
103		23-018B8	I.C., 82S114	1													E112
104		23-016B8	I.C., 82S114	1													E113

E.C.O. NO.

"THIS DRAWING AND SPECIFICATIONS, HEREIN, ARE THE PROPERTY OF DIGITAL EQUIPMENT CORPORATION AND SHALL NOT BE REPRODUCED OR COPIED OR USED IN WHOLE OR IN PART AS THE BASIS FOR THE MANUFACTURE OR SALE OF ITEMS WITHOUT WRITTEN PERMISSION. COPYRIGHT © 1978, DIGITAL EQUIPMENT CORPORATION"

TITLE
RL11 CONTROLLER

ASSY NO.
D-UA-M7762-0-0
SHEET 4 OF 5

SIZE CODE
B PL
NUMBER
M7762-0-0
INSERTION PARTS LIST DATA BASE REV

REV.
L

DIGITAL EQUIPMENT CORPORATION PARTS LIST

QUANTITY / VARIATION

NOTES:

USED ON: OPTION/MODEL RL11

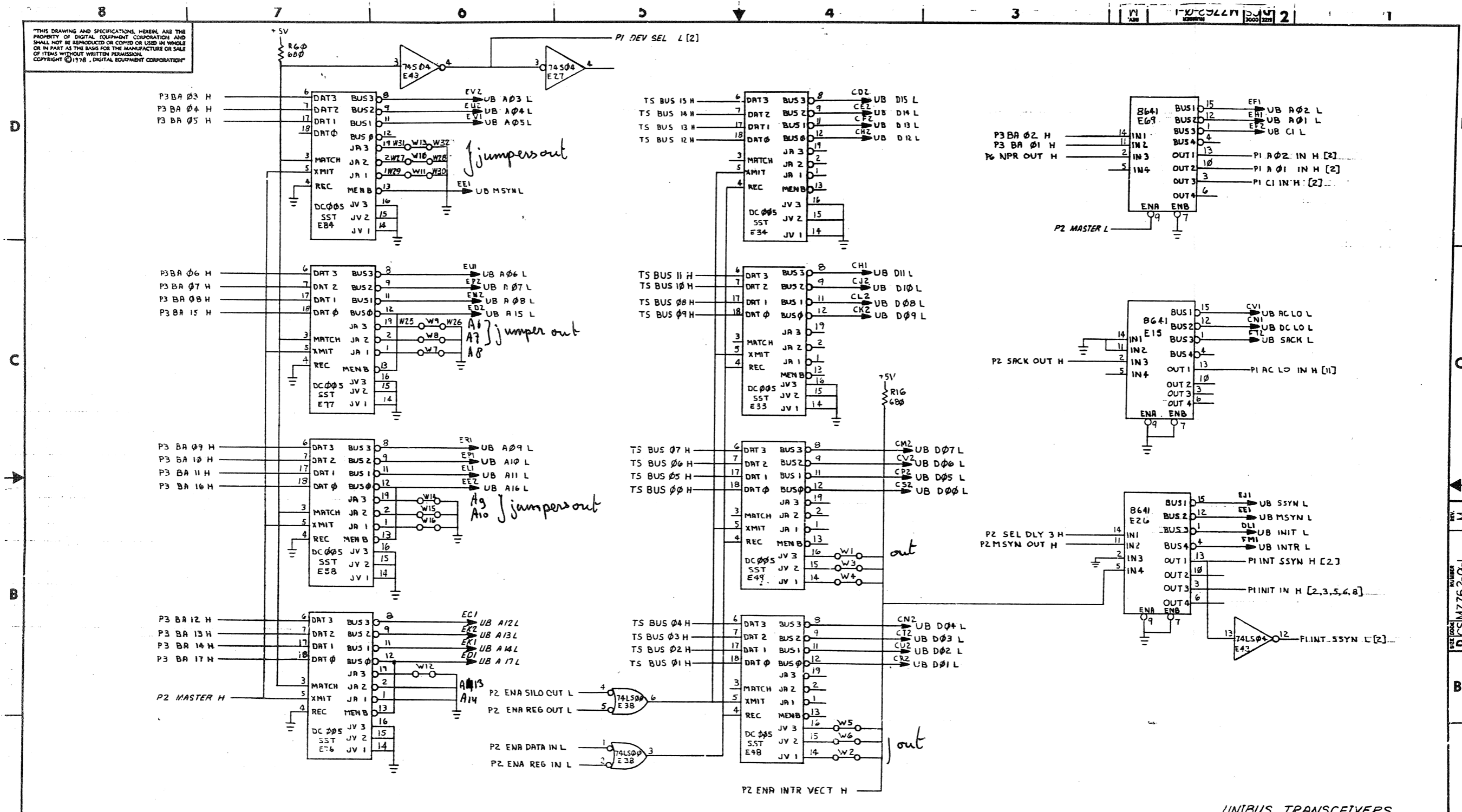
MADE BY DATE	D. MAYUSKI 7 MAR 77	CHECKED DATE	P. BOSSMAN 29 MAR 77	SECTION 1
ENG DATE	C. LIU 8 APR 77	PROD DATE	R. STROTT 8 APR 77	ISSUED SECTION 1

ITEM NO.	DRAWING NO.	PART NO.	DESCRIPTION	QTY	VAR	UNIT	MATERIAL	DIMENSIONS	TOLERANCE	FINISH	MARKING	REF DESIGNATION
105		23-017B8	I.C., 82S114	1								E114
106		23-020D1	I.C., 82S115	1								E111
107		9000024-01	EYELET	12								
108		12-10385-01	PIN, 1 POS GOLD WIRE WRAP	19								W17-W35
109		9009185-00	JUMPER, INSULATED	12								W1-W8, W12, W14, W15, W16
110		1910544-01	I.C., 74S74-60	1								E101
111		9008085-00	TERMINAL, TURRET	1								E11
112		9105740-55	WIRE, #30 AWG, GRN	A/R								
113		1302862-00	RES., 50Ω, 1/4W, 1%	1								R36
114		13-13583-00	RES., 150Ω, 1/4W, 1%	1								R65
115		1912536-00	REGULATOR, +5V, 7805	1								E115
116		1000064-00	CAP., 3.9MFD, 10V, 10%	1								C36
117		1912541-00	REGULATOR, -5V	1								E116
118		1914471-00	REGULATOR, +8V, 71281	1								E117
119												
120		1311465-00	RES., 43Ω, 1/4W, 5%	1								R64
121		19-10645-00	I.C., DEC 75452	2								E16, E17
122		1302873-00	RES., 261Ω, 1/4W, 1%	1								R9
123		1302874-00	RES., 147Ω, 1/4W, 1%	2								R14, R26
124		1912834-00	I.C., DEC 74LS112	1								E55
125		10-12783-00	CAP., .022MFD, 50V	1								C122
126		13-03177-00	RES., 2.4K, 1/4W, 5%	1								R8
127		13-00316-00	RES., 470Ω, 1/4W, 5%	1								R18
128		90-06021-01	Scr. Phil Pan Hd #6-32 x 5/16	1								For mounting E115
129		90-08185-00	KEPNUT #6	1								
130		19-13340-00	I.C., DEC 74S32	1								E11
131		9107295-11	SLEEVING	A/R								
132		90-07201-00	TRANSIPAD	1								

E.C.O. NO. _____

<small>"THIS DRAWING AND SPECIFICATIONS, HEREIN, ARE THE PROPERTY OF DIGITAL EQUIPMENT CORPORATION AND SHALL NOT BE REPRODUCED OR COPIED OR USED IN WHOLE OR IN PART AS THE BASIS FOR THE MANUFACTURE OR SALE OF ITEMS WITHOUT WRITTEN PERMISSION. COPYRIGHT © 1978 DIGITAL EQUIPMENT CORPORATION"</small>	TITLE	ASSY NO.	SIZE	CODE	NUMBER	REV.
	RL11 CONTROLLER	D-UA-M7762-0-0	B	PL	M7762-0-0	L
			SHEET 5 OF 5		INSERTION PARTS LIST DATA BASE REV	

THIS DRAWING AND SPECIFICATIONS HEREIN ARE THE PROPERTY OF DIGITAL EQUIPMENT CORPORATION AND SHALL NOT BE REPRODUCED OR COPIED OR USED IN WHOLE OR IN PART AS THE BASIS FOR THE MANUFACTURE OR SALE OF ITEMS WITHOUT WRITTEN PERMISSION. COPYRIGHT © 1978, DIGITAL EQUIPMENT CORPORATION

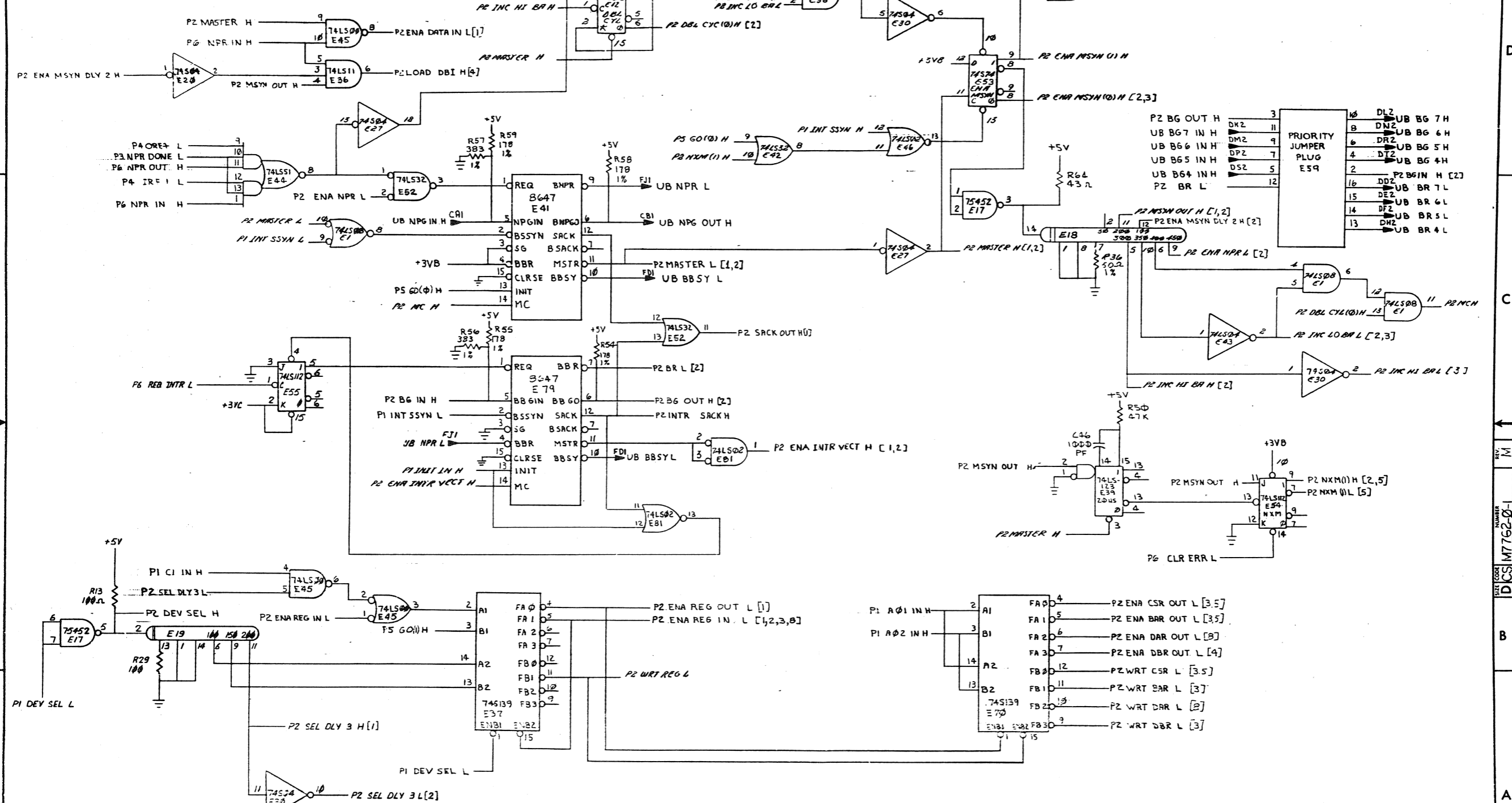


UNIBUS TRANSCEIVERS

REV.	CHANGE NO.	DATE	BY	CHK'D	DESCRIPTION
1	17762-00001	11-17-77	C. LIU		ISSUE FOR PRODUCTION
2	17762-00002	11-17-77	C. LIU		ISSUE FOR PRODUCTION
3	17762-00003	11-17-77	C. LIU		ISSUE FOR PRODUCTION
4	17762-00004	11-17-77	C. LIU		ISSUE FOR PRODUCTION
5	17762-00005	11-17-77	C. LIU		ISSUE FOR PRODUCTION
6	17762-00006	11-17-77	C. LIU		ISSUE FOR PRODUCTION
7	17762-00007	11-17-77	C. LIU		ISSUE FOR PRODUCTION
8	17762-00008	11-17-77	C. LIU		ISSUE FOR PRODUCTION
9	17762-00009	11-17-77	C. LIU		ISSUE FOR PRODUCTION
10	17762-00010	11-17-77	C. LIU		ISSUE FOR PRODUCTION

DRN. <i>See Page 1</i>	FIRST USED ON	RLII digital
CHK'D <i>See Page 1</i>	TITLE	(PI)
ENG. <i>See Page 1</i>	RLII CONTROLLER	
PROJ. ENG. <i>See Page 1</i>	SIZE CODE	NUMBER
PROD. <i>See Page 1</i>	D CS	M7762-0-1
NEXT HIGHER ASSY.	SCALE	SHEET 1 OF 11
3-00-M7762-0	DIST.	REV. 11

THIS DRAWING AND SPECIFICATIONS HEREIN ARE THE PROPERTY OF DIGITAL EQUIPMENT CORPORATION AND SHALL NOT BE REPRODUCED OR COPIED OR USED IN WHOLE OR IN PART AS THE BASIS FOR THE MANUFACTURE OR SALE OF ITEMS WITHOUT WRITTEN PERMISSION. COPYRIGHT © 1978 DIGITAL EQUIPMENT CORPORATION



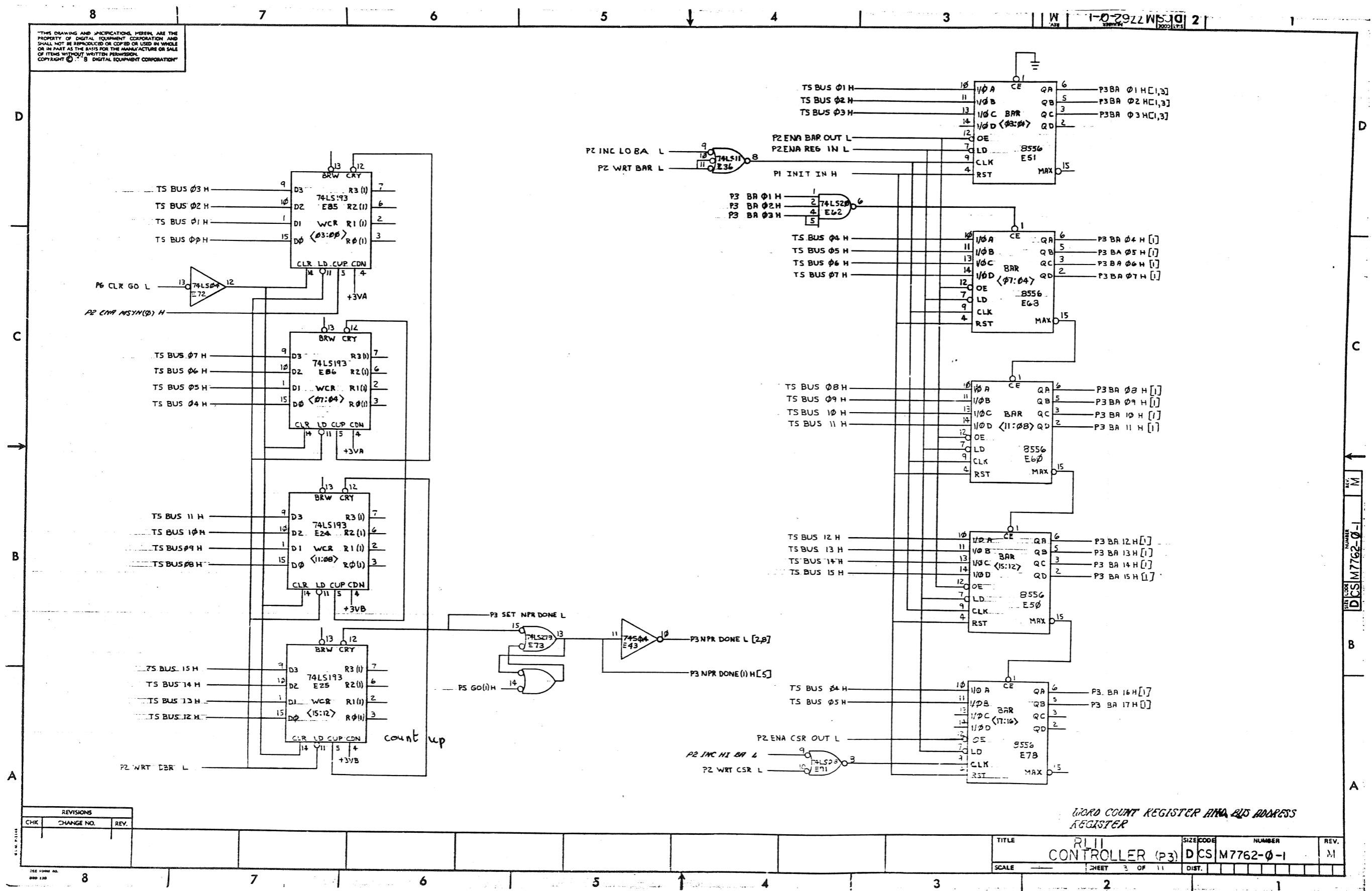
REGISTER DECODE AND NPR CONTROL

REVISIONS		
CHK	CHANGE NO.	REV.

REV. M
NUMBER
DCS M7762-0-1

THIS DRAWING AND SPECIFICATIONS HEREIN ARE THE PROPERTY OF DIGITAL EQUIPMENT CORPORATION AND SHALL NOT BE REPRODUCED OR COPIED OR USED IN WHOLE OR IN PART AS THE BASIS FOR THE MANUFACTURE OR SALE OF ITEMS WITHOUT WRITTEN PERMISSION. COPYRIGHT © 1975 DIGITAL EQUIPMENT CORPORATION

1-0-7922 WSJQI 2



REVISIONS		
CHK	CHANGE NO.	REV.

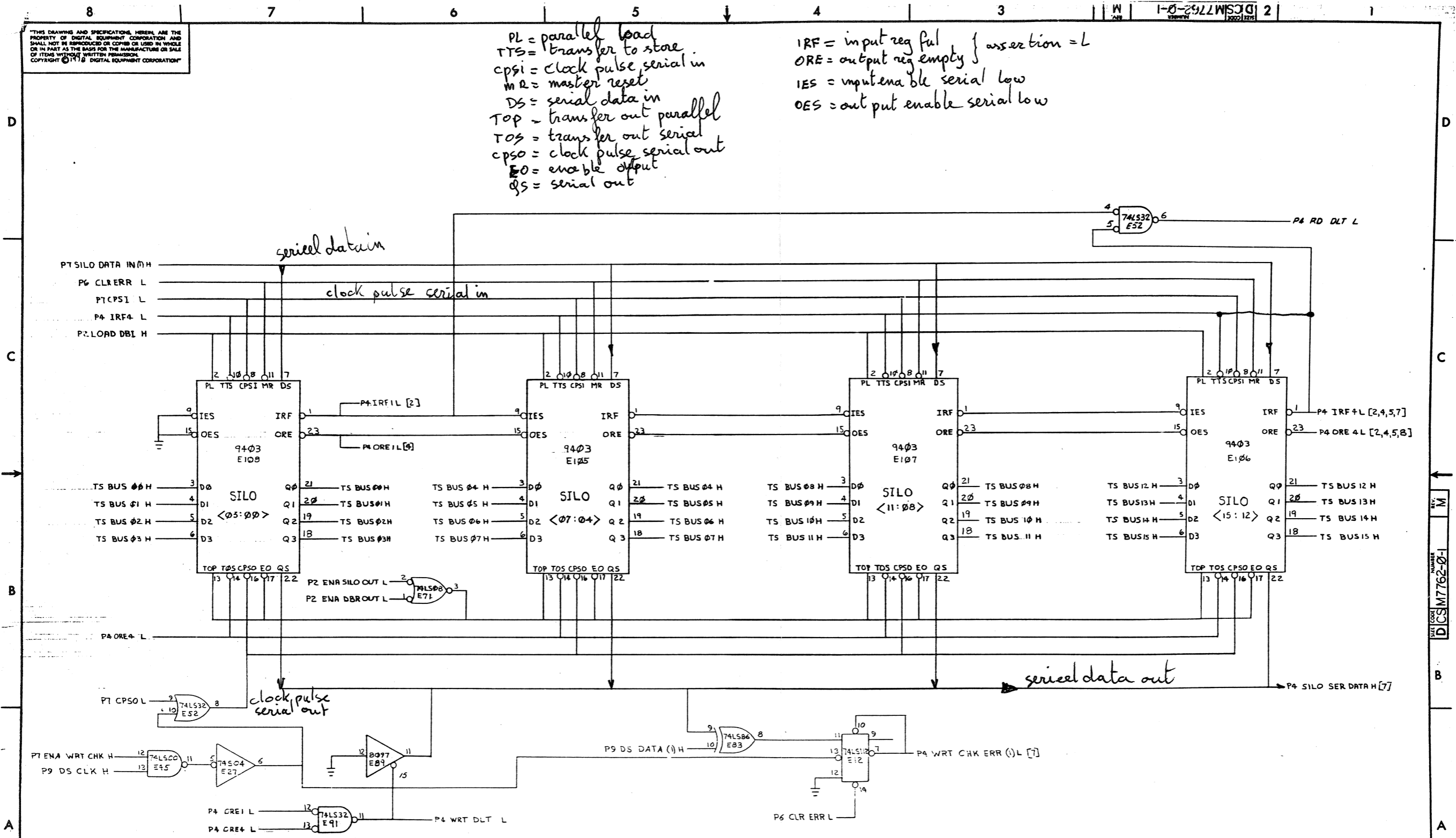
TITLE		SIZE CODE	NUMBER	REV.
P3 CONTROLLER (P3)		DCS	M7762-0-1	M
SCALE	SHEET 3 OF 11	DIST.		

REV. M
DCS M7762-0-1

THIS DRAWING AND SPECIFICATIONS HEREIN ARE THE PROPERTY OF DIGITAL EQUIPMENT CORPORATION AND SHALL NOT BE REPRODUCED OR COPIED OR USED IN WHOLE OR IN PART AS THE BASIS FOR THE MANUFACTURE OR SALE OF ITEMS WITHOUT WRITTEN PERMISSION. COPYRIGHT © 1972 DIGITAL EQUIPMENT CORPORATION

PL = parallel load
 TTS = transfer to store
 CPSI = clock pulse serial in
 MR = master reset
 DS = serial data in
 TOP = transfer out parallel
 TOS = transfer out serial
 CPSO = clock pulse serial out
 EO = enable output
 QS = serial out

IRF = input reg full } assertion = L
 ORE = output reg empty }
 IES = input enable serial low
 OES = out put enable serial low

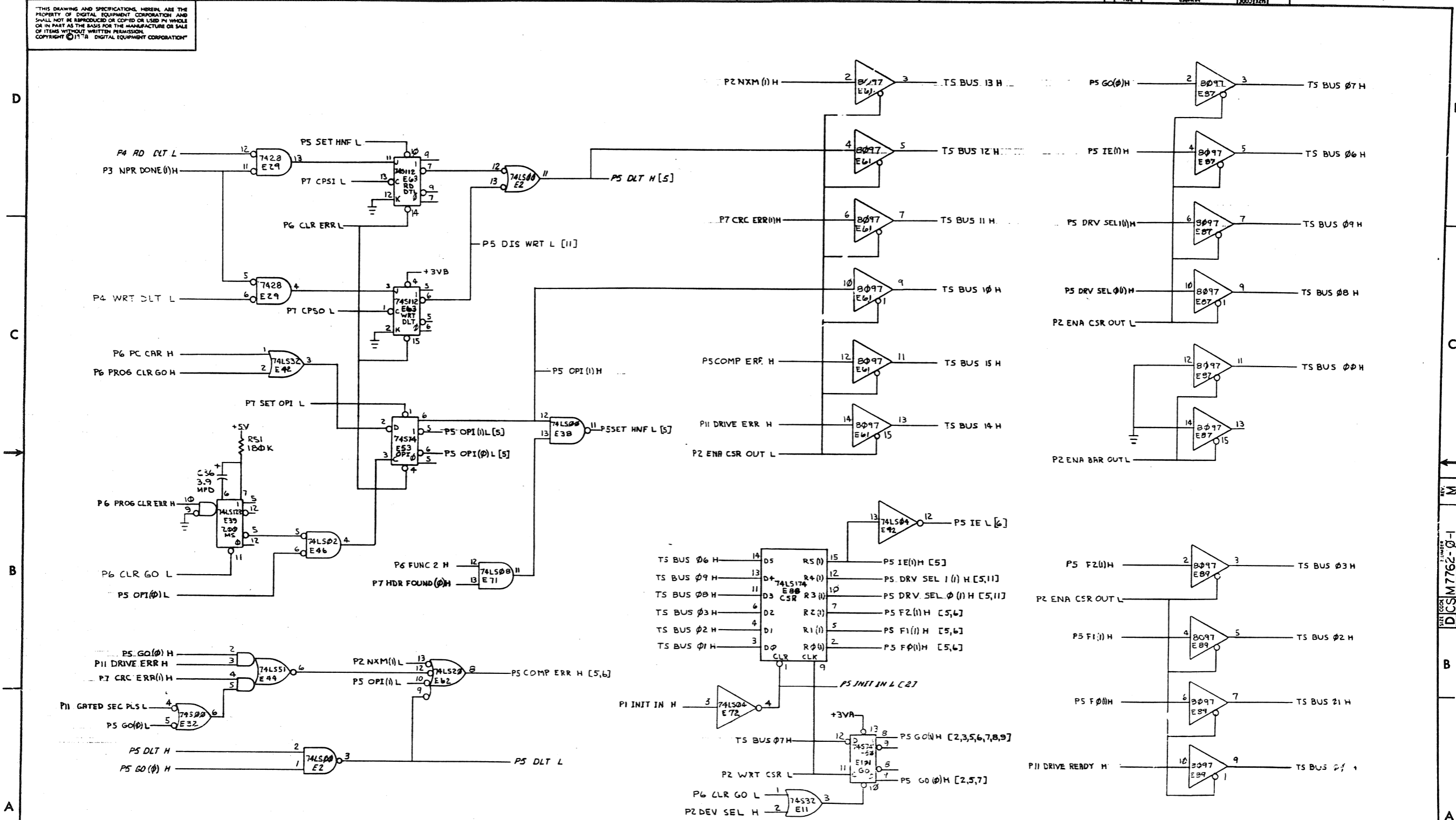


REVISIONS		
CHK	CHANGE NO.	REV.

REV. M
 NUMBER DCS M7762-0-1

THIS DRAWING AND SPECIFICATIONS HEREIN ARE THE PROPERTY OF DIGITAL EQUIPMENT CORPORATION AND SHALL NOT BE REPRODUCED OR COPIED OR USED IN WHOLE OR IN PART AS THE BASIS FOR THE MANUFACTURE OR SALE OF ITEMS WITHOUT WRITTEN PERMISSION. COPYRIGHT © 1978 DIGITAL EQUIPMENT CORPORATION

REV. M
DATE 12-22-77
DCSIM 7762-0-1



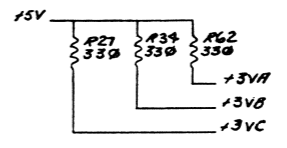
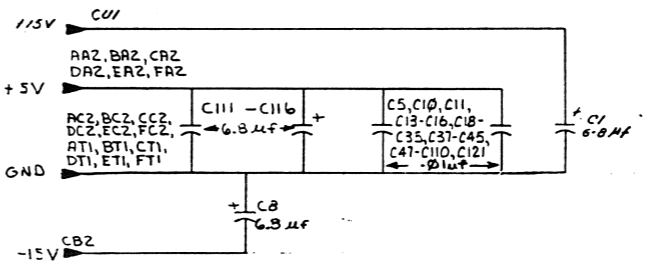
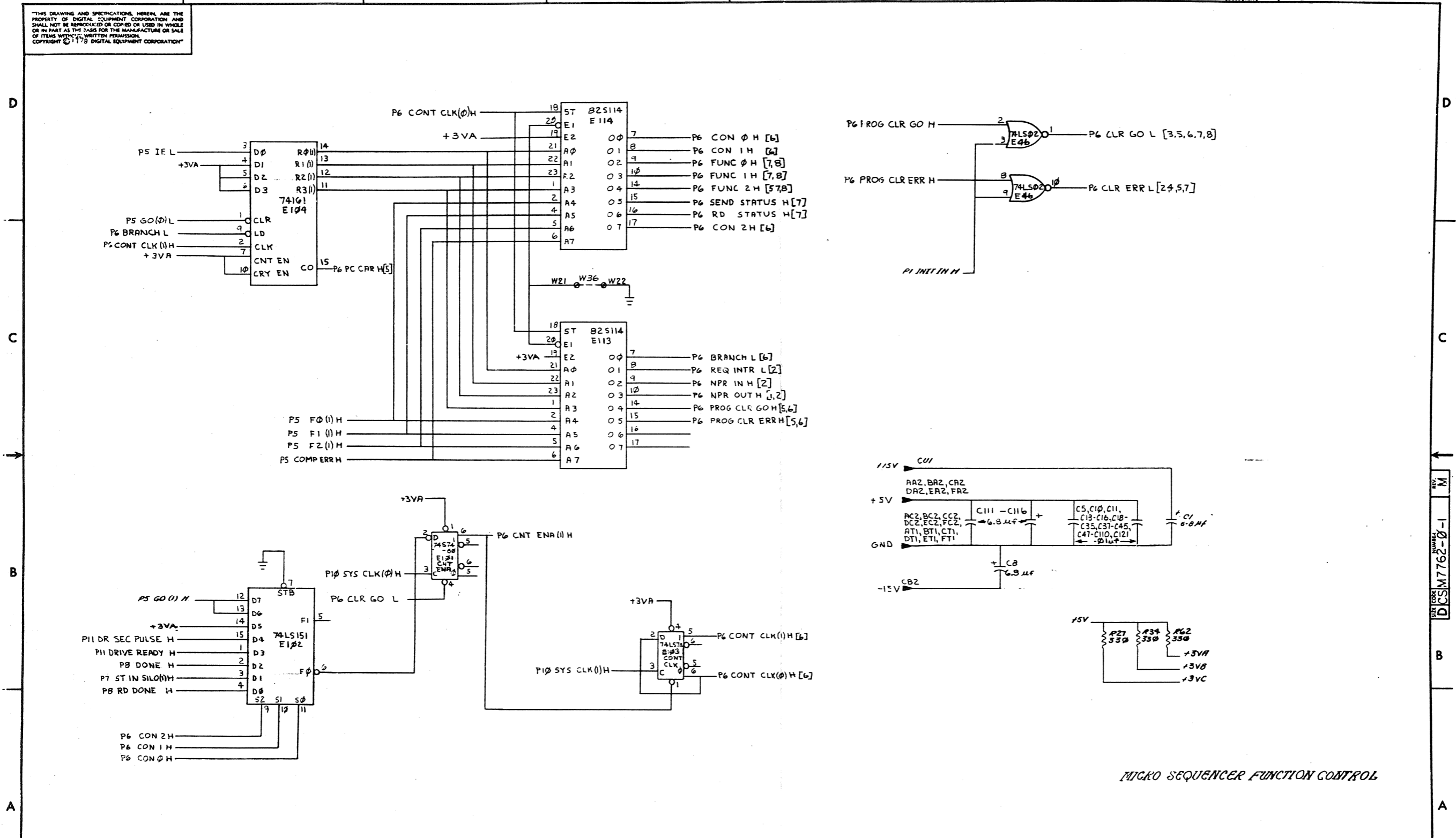
REVISIONS		
CHK	CHANGE NO.	REV.

CSR AND ERROR REGISTERS

TITLE	RLII CONTROLLER (P5)	SIZE CODE	NUMBER	REV.
SCALE	SHEET 5 OF 11	DIST.	DCS M7762-0-1	M

REV. M
DATE 12-22-77
DCSIM 7762-0-1

THIS DRAWING AND SPECIFICATIONS HEREIN ARE THE PROPERTY OF DIGITAL EQUIPMENT CORPORATION AND SHALL NOT BE REPRODUCED OR COPIED OR USED IN WHOLE OR IN PART AS THE BASIS FOR THE MANUFACTURE OR SALE OF ITEMS WITHOUT WRITTEN PERMISSION. COPYRIGHT © 1979 DIGITAL EQUIPMENT CORPORATION



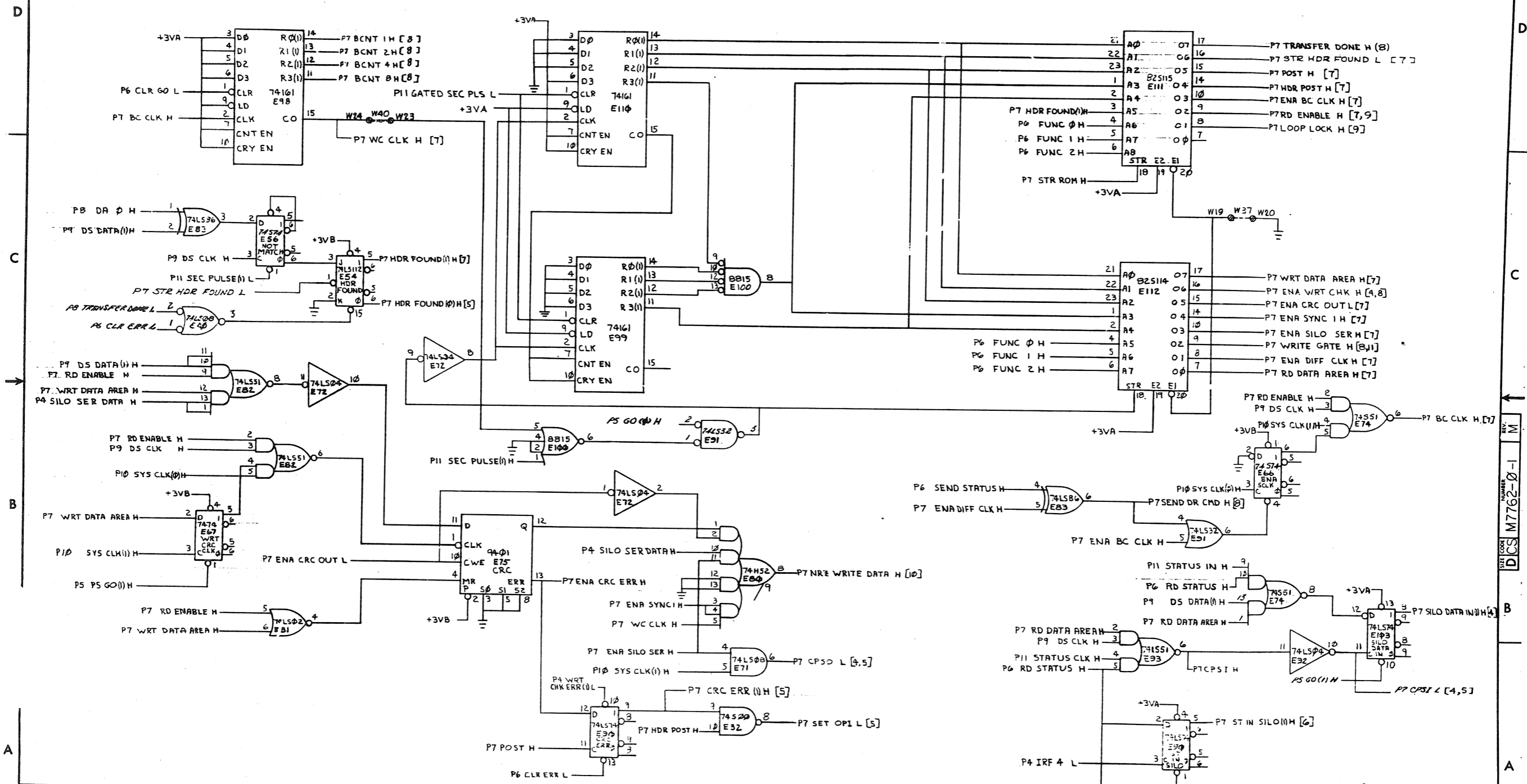
MICRO SEQUENCER FUNCTION CONTROL

REVISIONS		
CHK	CHANGE NO.	REV.

TITLE	RL11 CONTROLLER (P6)	SIZE CODE	D CS M7762-0-1	NUMBER		REV.	M
SCALE		SHEET	6 OF 11	DIST.			

REV. M DCS M7762-0-1

"THIS DRAWING AND SPECIFICATIONS, HEREIN, ARE THE PROPERTY OF DIGITAL EQUIPMENT CORPORATION AND SHALL NOT BE REPRODUCED OR COPIED OR USED IN WHOLE OR IN PART AS THE BASIS FOR THE MANUFACTURE OR SALE OF ITEMS WITHOUT WRITTEN PERMISSION. COPYRIGHT © 1977 DIGITAL EQUIPMENT CORPORATION"



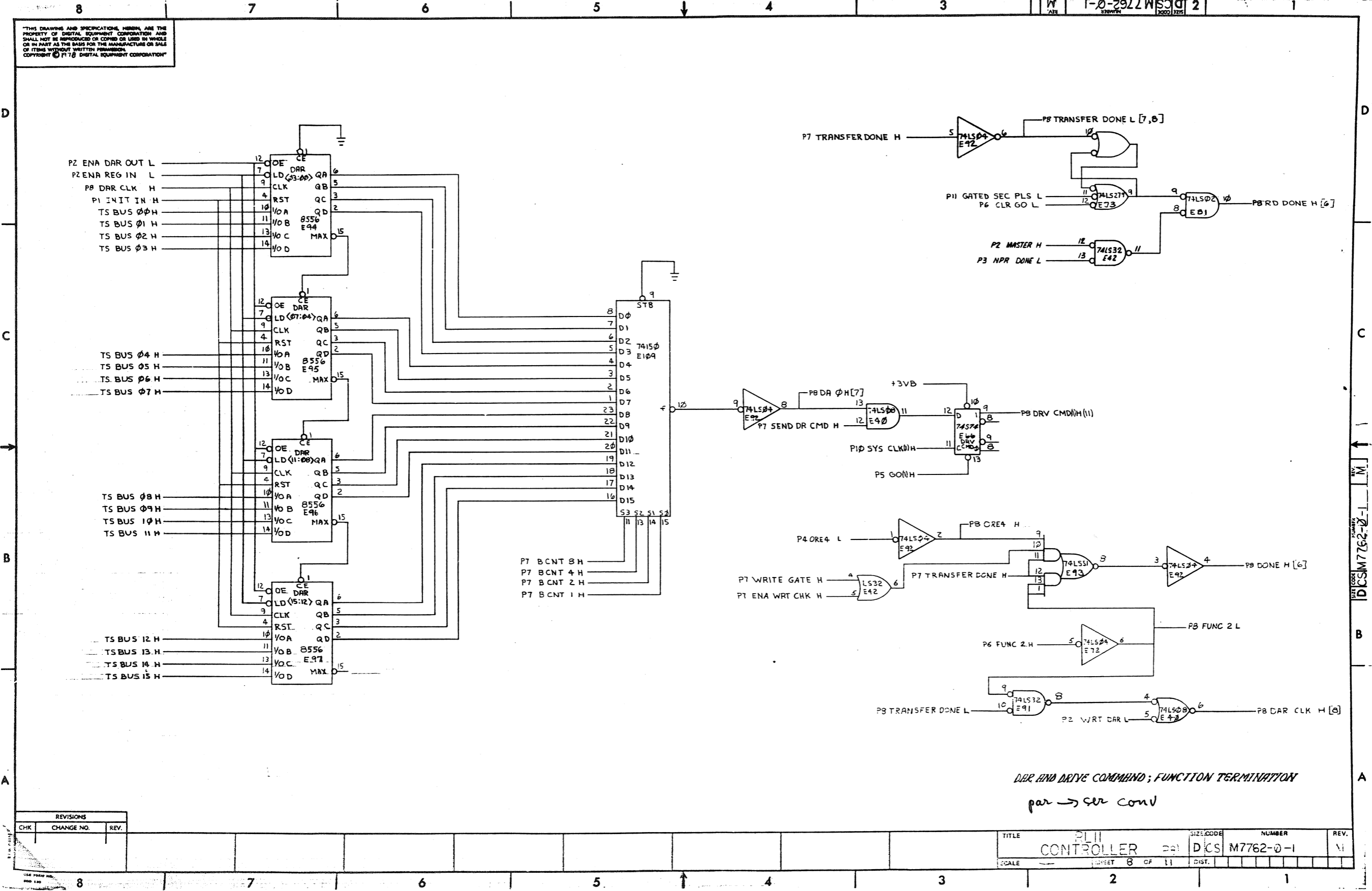
SECTOR FORMER CONTROL

REVISIONS		
CHK	CHANGE NO.	REV.

TITLE	P11 CONTROLLER (P7)	SIZ CODE	DCS M7762-0-1	NUMBER		REV.	M
SCALE	SHEET 7 OF 11	DIST.					

REV. NO. DCS M7762-0-1

THIS DRAWING AND SPECIFICATIONS HEREIN ARE THE PROPERTY OF DIGITAL EQUIPMENT CORPORATION AND SHALL NOT BE REPRODUCED OR COPIED OR USED IN WHOLE OR IN PART AS THE BASIS FOR THE MANUFACTURE OR SALE OF ITEMS WITHOUT WRITTEN PERMISSION. COPYRIGHT © 1978 DIGITAL EQUIPMENT CORPORATION



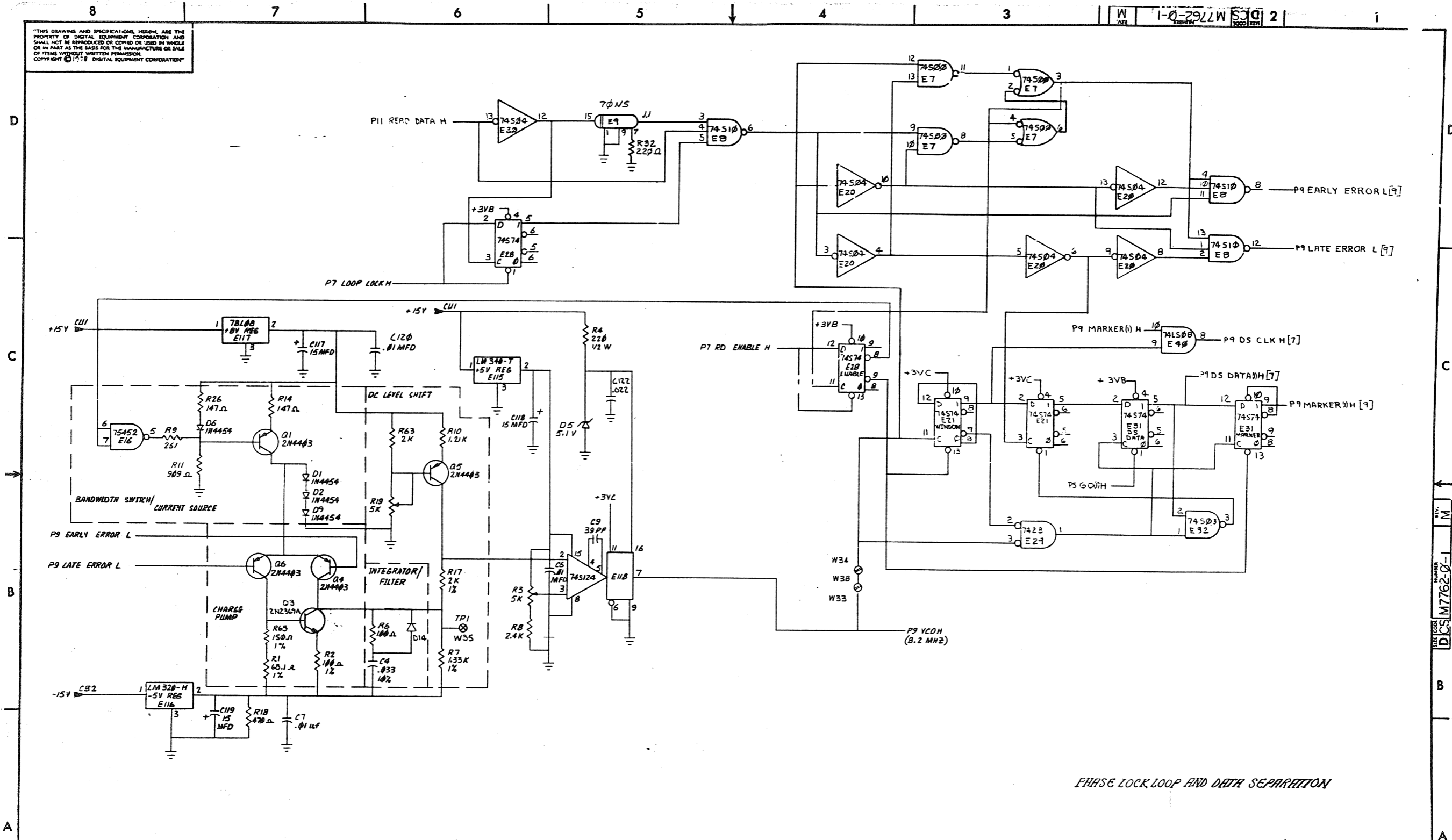
DAR AND DRIVE COMMAND; FUNCTION TERMINATION
par → ser conv

REVISIONS		
CHK	CHANGE NO.	REV.

TITLE	PL11	SIZE CODE	NUMBER	REV.
CONTROLLER	201	DIC	M7762-0-1	VI
SCALE	SHEET 8 OF 11	DIST.		

REV. M
M7762-0-1

THIS DRAWING AND SPECIFICATIONS HEREIN ARE THE PROPERTY OF DIGITAL EQUIPMENT CORPORATION AND SHALL NOT BE REPRODUCED OR COPIED OR USED IN WHOLE OR IN PART AS THE BASIS FOR THE MANUFACTURE OR SALE OF ITEMS WITHOUT WRITTEN PERMISSION. COPYRIGHT © 1978 DIGITAL EQUIPMENT CORPORATION



PHASE LOCK LOOP AND DATA SEPARATION

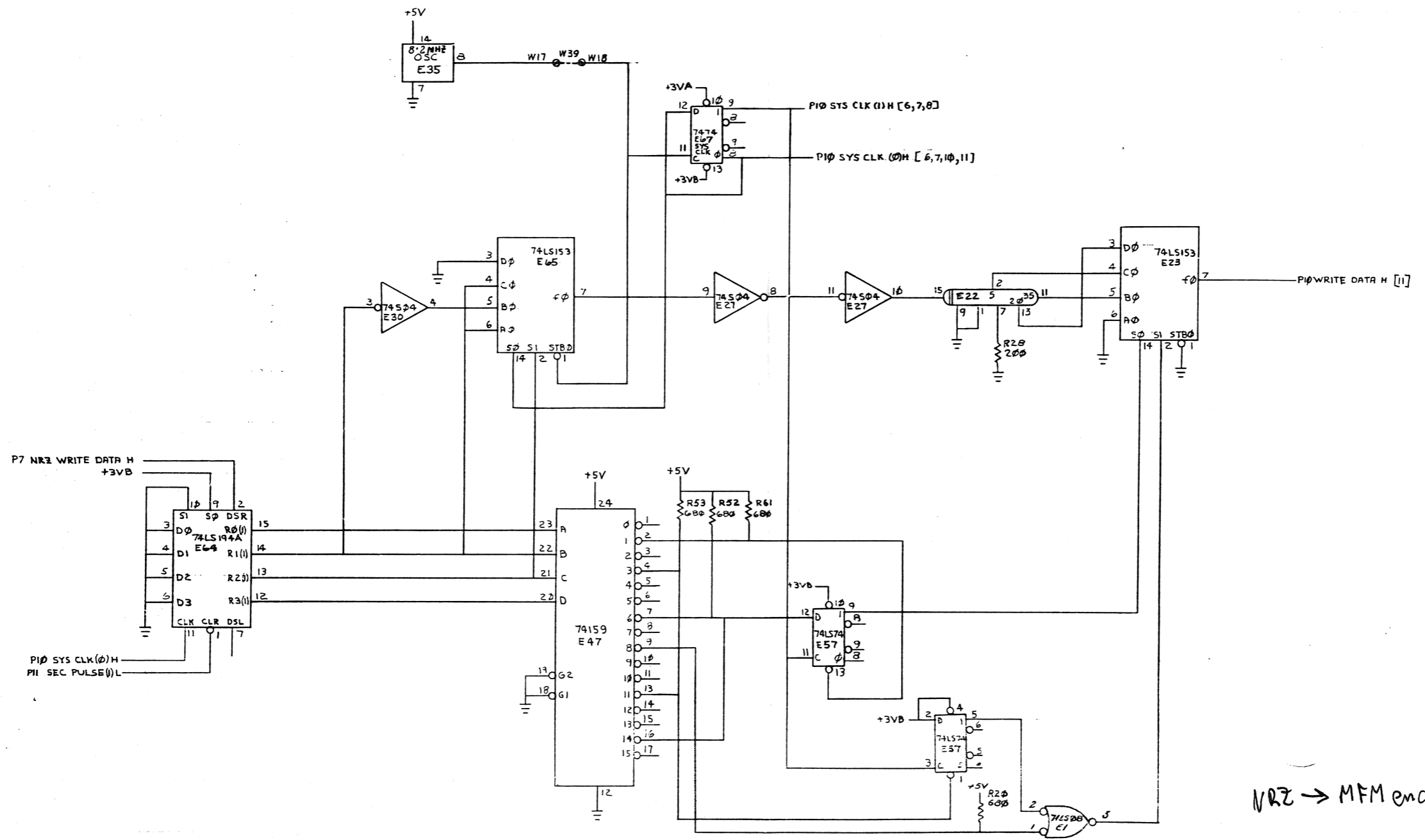
REVISIONS		
CHK	CHANGE NO.	REV.

TITLE	RLII CONTROLLER (P9)	SIZE CODE	D CS	NUMBER	M7762-0-1	REV.	VI
SCALE	SHEET 9 OF 11	DIST.					

REV. M
D E S I G N
D C S M7762-0-1

THIS DRAWING AND SPECIFICATIONS HEREIN ARE THE PROPERTY OF DIGITAL EQUIPMENT CORPORATION AND SHALL NOT BE REPRODUCED OR COPIED OR USED IN WHOLE OR IN PART AS THE BASIS FOR THE MANUFACTURE OR SALE OF ITEMS WITHOUT WRITTEN PERMISSION. COPYRIGHT © 1977 DIGITAL EQUIPMENT CORPORATION

W 1 - 0-2922W SCS 2



NRZ → MFM encoder

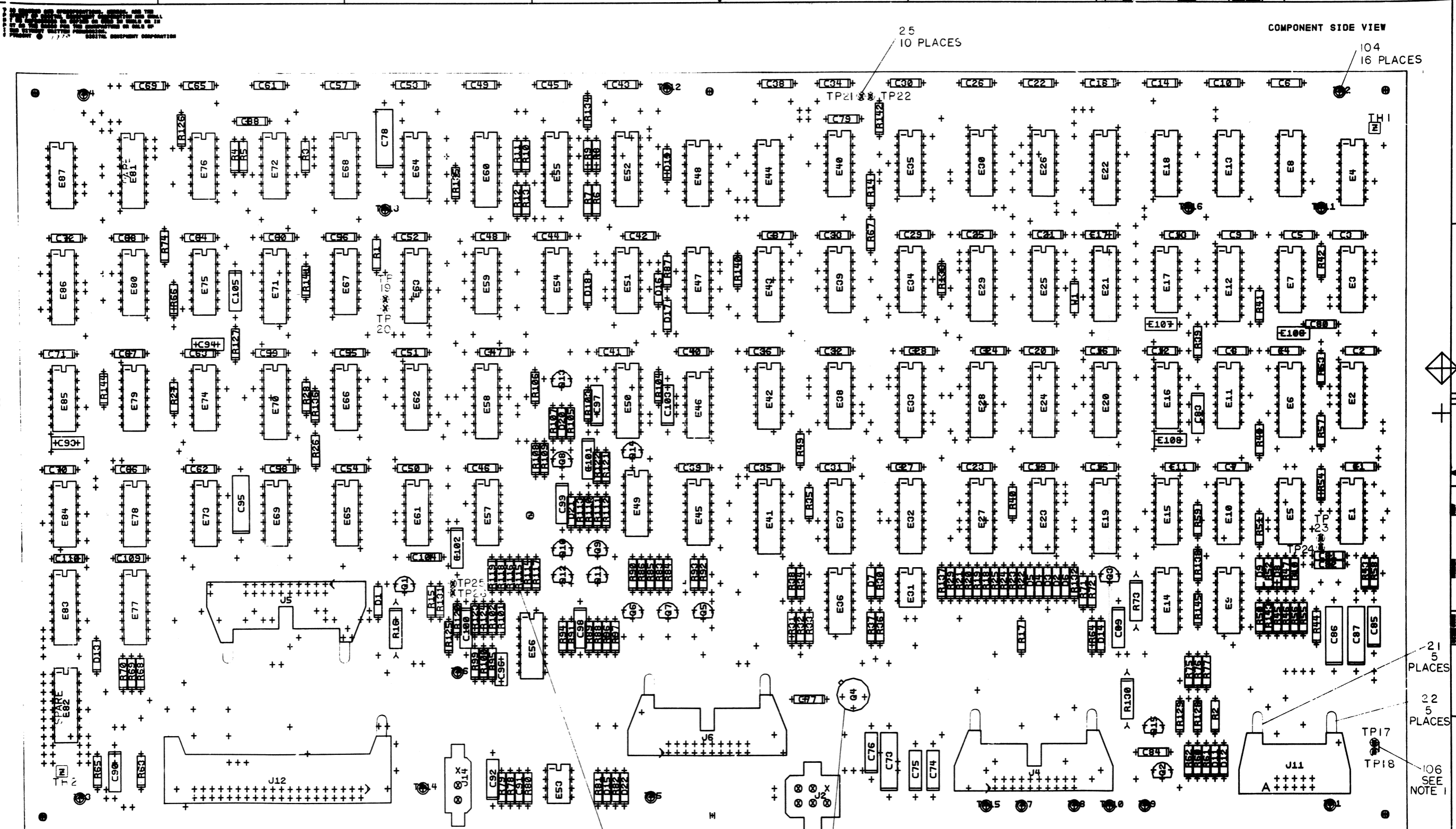
WRITE DATA ENCODE AND PRECOMPENSATION

REVISIONS		
CHK	CHANGE NO.	REV.

TITLE	PII CONTROLLER (PI3)	SIZE CODE	DCS	NUMBER	M7762-0-1	REV.	M
SCALE		SHEET	10	OF	11	DIST.	

REV. M
DCS M7762-0-1

COMPONENT SIDE VIEW



NOTES:
 1. SHALL TEST AFTER TEST (BEFORE TP 2 TEST ONLY).
 2. VALUE OF ITEM 2 TO BE DETERMINED AT NEXT HIGHER ASSEMBLY.

CHK	CHANGE	NO	REV

SEE NOTE 2

103

ETCH REV. B	SIZE CODE	
P.C. DESIGN DATA BASE REV. BL		

SIGNATURES		DATE	digital	TITLE
DRN. (1)				
CHK'D. <i>[Signature]</i>		9/27/79		
ENG. <i>[Signature]</i>		5/22/79		
PROJ. ENG. <i>[Signature]</i>		5/22/79		
PROD. <i>[Signature]</i>				
SCALE 2/1				
SHT. 1 OF 3				
NEXT HIGHER ASSY. B-DD-5414025-0				

LINE ITEM	DOCUMENT NUMBER	PART NUMBER	DESCRIPTION	QTY PER VARIATION	REFERENCE DESIGNATOR
1	D-MD-5014024-0-0	5014024-00	DRILL AND ETCH BRD	1	
2	EWS		RESISTOR, FINAL TEST, 1/4W, 1%	4	R115, R116, R118, R119
3		1000023-00	330.0 MMF 100V 5% 200PPM DM15S	4	C93, C106-C108
4		1000024-00	470.0 MMF 100V 5% 200PPM DM15S	1	C94
5		1000064-00	3.9MFD 10V 10% 150D S.TA	2	C76, C85
6		1000076-00	39 MFD 10V 10% 150D S.TA	4	C73, C78, C86, C95
7		1001610-00	.01 MFD 50V -20+80 Z5U AXIAL	74	C1-C6, C8-C39, C40-C45, C47-C49, C51-C53, C55-C68, C70, C71, C77, C79-C82, C84, C88, C104
8		1001776-00	1 MFD 35V 10% S.TANT	4	C74, C75, C92, C97
9		1004812-00	15 MFD 20V 10% S.TANT	1	C87
10		1005784-00	.01 MFD 100V 10% 663VW MYLR	1	C101
11		1010978-32	.047 MFD 50V 10% 2C067CER.	1	C96
12		1013466-07	220.0 MMF 50V 5% CER.	1	C91
13		1013466-08	680.0 MMF 50V 10% CER.	2	C89, C90
14		1013466-09	1000.0 MMF 50V 10% CER.	1	C83
15		1013466-10	3300.0 MMF 50V 5% CER.	4	C98, C100, C103, C105
16		1013466-11	.22 MFD 50V +80/-20% CER.	2	C99, C102
17		1111577-00	1N 4454 TR= 4NS PIV= 50 S	16	D1, D7-D20, D22
18		1113953-00	1N 5523D VZ= 5.1 1%	1	D21
19		1114117-00	1N 4152 PIV=450 I=75M	5	D2-D6
20		1209941-02	HEADER 100 40POS RT ANGLE	1	J12
21		1209941-03	HEADER RT ANGLE LEFT L	5	
22		1209941-04	HEADER RT ANGLE, RIGHT	5	
23		1209941-05	HEADER.100 10POS RT ANGLE	1	J11
24		1209941-06	HEADER.100 20POS RT ANGLE	3	J4-J6
25		1210385-01	PIN 1POS WIRE WRAP	10	TP17-TP26
26		1213922-02	HEADER 3POS	1	J14
27		1213922-04	HEADER 6POS	1	J2
28		1300229-00	100 1/4W 5% CC	5	R48, R133-R136

REVISION HISTORY		BASIC PART NO: 5414025		DRN:	ART SIMM	DATE:	18-APR-79	DIGITAL			
ENG	ECO NUMBER	REV	SECTION A OF A	CHK'D:	F. KENDRICK	DATE:	18-APR-79	PARTS LIST			
	INITIAL	A	SECTION VARIATION INDEX					DRIVE LOGIC			
			[A] 00	DES. ENG:	MIKE BROWN	DATE:	18-APR-79	DOCUMENT NUMBER			
			[B]	RESP. ENG.:	MIKE BROWN	DATE:	18-APR-79	SIZE	CODE	NUMBER	REV
			[C]	MFG. ENG.:	D. LICK	DATE:	18-APR-79	K	PL	5414025-0-DBP	A
			[D]	ASSEMBLY NUMBER:	D-UA-5414025-0-0	TOP DOCUMENT NUMBER:	#RL02	FILE NAME:		Z0496A.PLS	EDIT #
			[E]								16
			[F]								
			[G]								
			[H]								
			[I]								
			[J]								
			[K]								
			[L]								
			[M]								
			[N]								

*THIS DRAWING AND SPECIFICATIONS HEREIN, ARE THE PROPERTY OF DIGITAL EQUIPMENT CORPORATION AND SHALL NOT BE REPRODUCED OR COPIED OR USED IN WHOLE OR IN PART AS THE BASIS FOR THE MANUFACTURE OR SALE OF ITEMS WITHOUT WRITTEN PERMISSION. COPYRIGHT (C) 1979. DIGITAL EQUIPMENT CORPORATION *

8

7

6

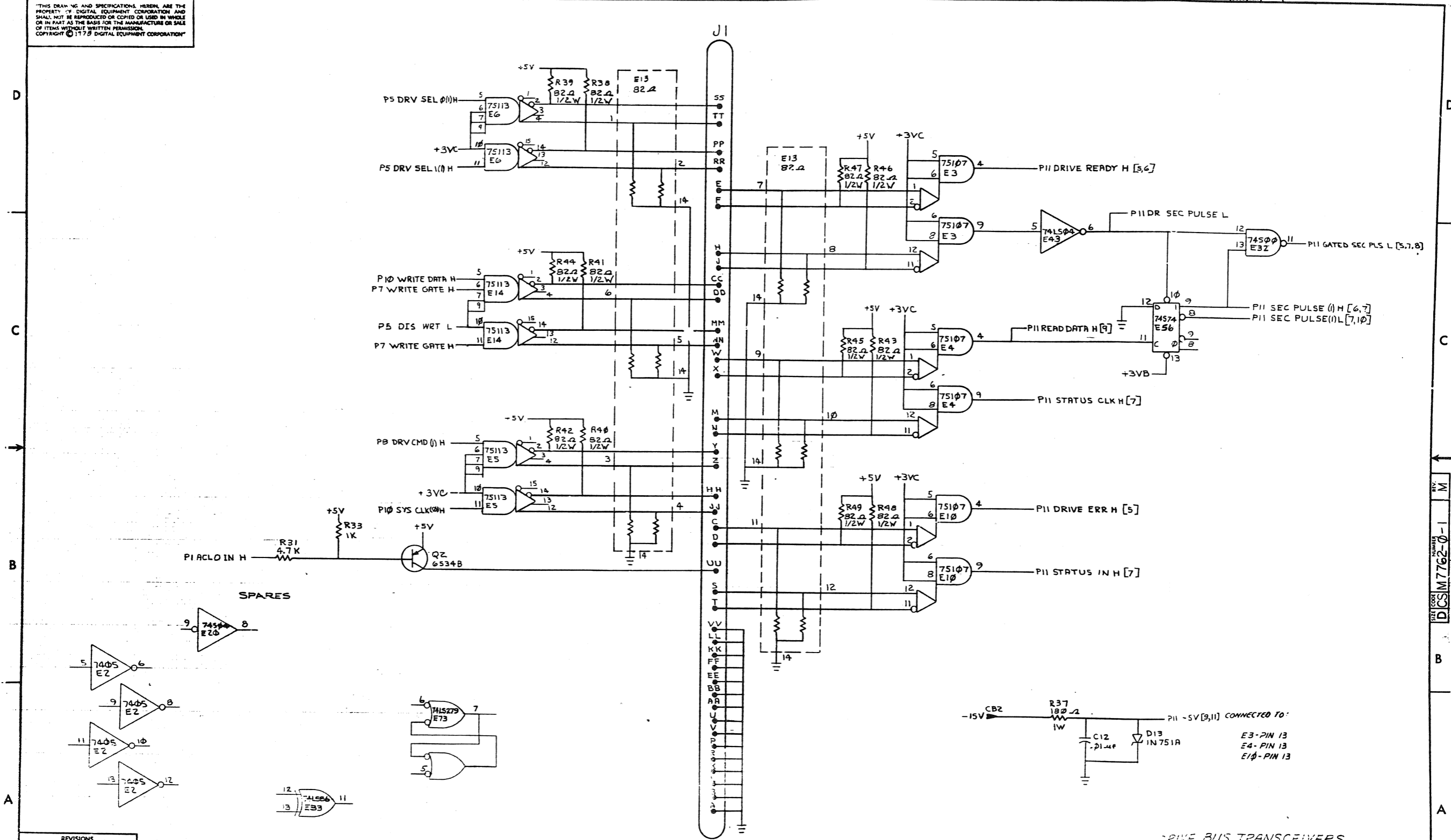
5

4

3

DCS M7762-0-1

THIS DRAWING AND SPECIFICATIONS HEREIN ARE THE PROPERTY OF DIGITAL EQUIPMENT CORPORATION AND SHALL NOT BE REPRODUCED OR COPIED OR USED IN WHOLE OR IN PART AS THE BASIS FOR THE MANUFACTURE OR SALE OF ITEMS WITHOUT WRITTEN PERMISSION. COPYRIGHT © 1978 DIGITAL EQUIPMENT CORPORATION



DRIVE BUS TRANSCEIVERS

REVISIONS		
CHK	CHANGE NO.	REV.

TITLE	RLII CONTROLLER (PII)	SIZE CODE	NUMBER	REV.
SCALE	SHEET 11 OF 11	DIST.	DCS M7762-0-1	M

DCS M7762-0-1

8

7

6

5

4

3

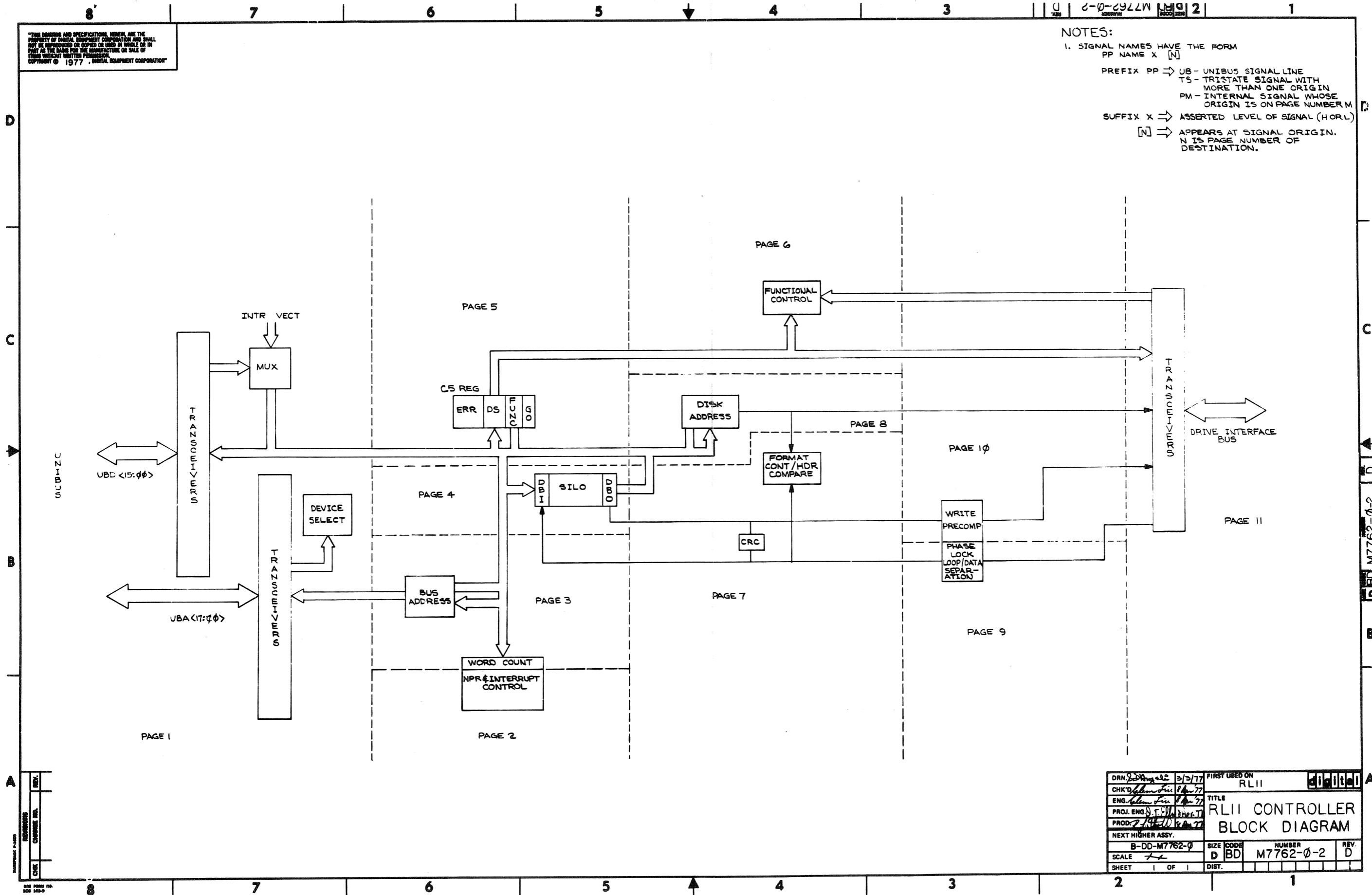
2

1

"THIS DRAWING AND SPECIFICATIONS HEREIN ARE THE PROPERTY OF DIGITAL EQUIPMENT CORPORATION AND SHALL NOT BE REPRODUCED OR COPIED OR USED IN WHOLE OR IN PART AS THE BASIS FOR THE MANUFACTURE OR SALE OF ITEMS WITHOUT WRITTEN PERMISSION.
COPYRIGHT © 1977, DIGITAL EQUIPMENT CORPORATION"

NOTES:

- SIGNAL NAMES HAVE THE FORM
PP NAME X [N]
PREFIX PP ⇒ UB - UNIBUS SIGNAL LINE
TS - TRISTATE SIGNAL WITH MORE THAN ONE ORIGIN
PM - INTERNAL SIGNAL WHOSE ORIGIN IS ON PAGE NUMBER M
SUFFIX X ⇒ ASSERTED LEVEL OF SIGNAL (H OR L)
[N] ⇒ APPEARS AT SIGNAL ORIGIN. N IS PAGE NUMBER OF DESTINATION.

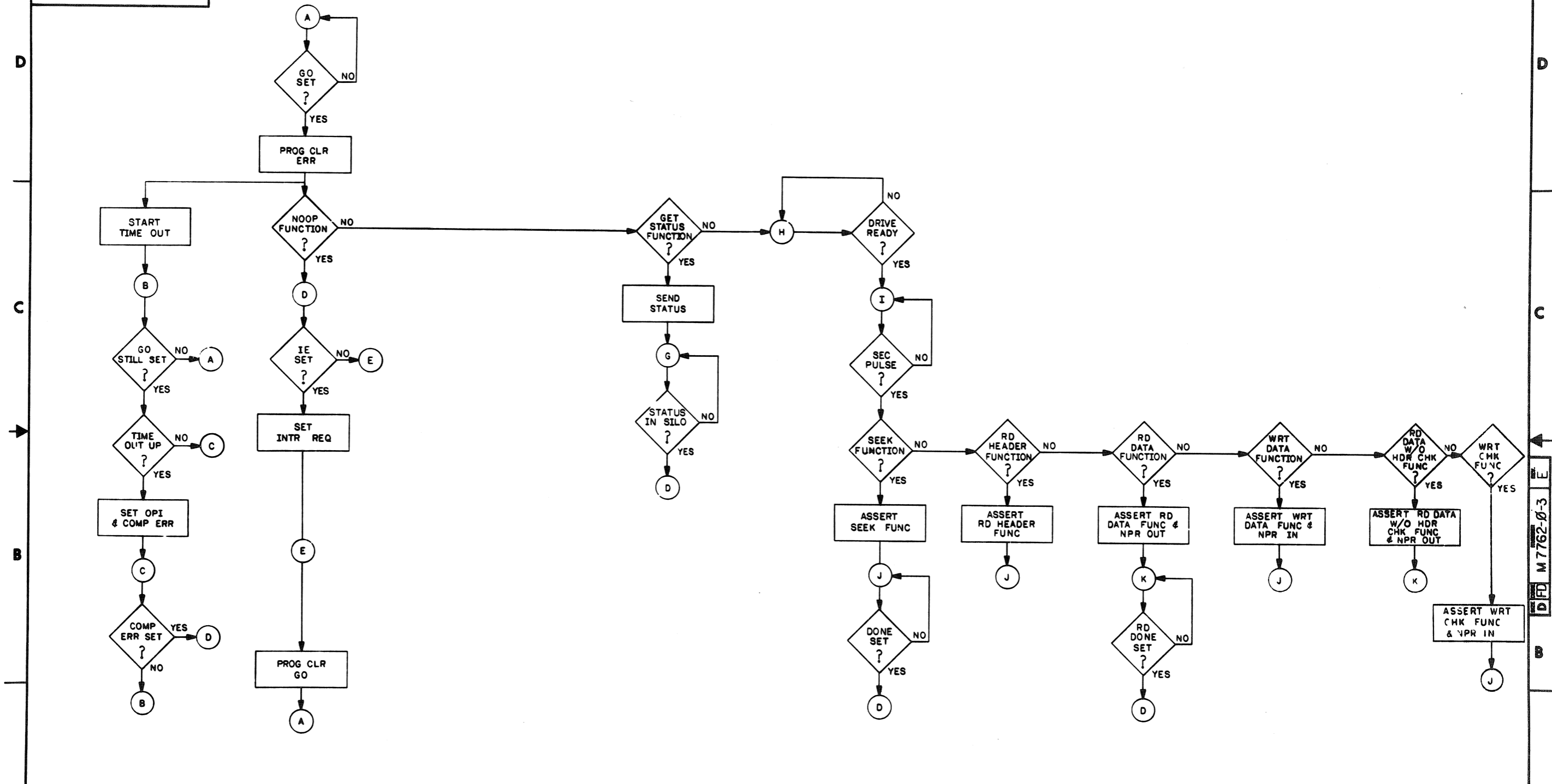


DRN. <i>[Signature]</i> 3/3/77	FIRST USED ON	RLII
CHK'D. <i>[Signature]</i> 3/3/77	TITLE	RLII CONTROLLER BLOCK DIAGRAM
ENG. <i>[Signature]</i> 3/3/77	SIZE	D BD
PROJ. ENG. <i>[Signature]</i> 3/3/77	NUMBER	M7762-0-2
PROD. <i>[Signature]</i> 3/3/77	REV	D
NEXT HIGHER ASSY.	SCALE	1:1
B-DD-M7762-0	SHEET	1 OF 1

REV. 1
REV. 2
REV. 3
REV. 4
REV. 5
REV. 6
REV. 7
REV. 8
REV. 9
REV. 10
REV. 11
REV. 12
REV. 13
REV. 14
REV. 15
REV. 16
REV. 17
REV. 18
REV. 19
REV. 20
REV. 21
REV. 22
REV. 23
REV. 24
REV. 25
REV. 26
REV. 27
REV. 28
REV. 29
REV. 30
REV. 31
REV. 32
REV. 33
REV. 34
REV. 35
REV. 36
REV. 37
REV. 38
REV. 39
REV. 40
REV. 41
REV. 42
REV. 43
REV. 44
REV. 45
REV. 46
REV. 47
REV. 48
REV. 49
REV. 50

THIS DRAWING AND SPECIFICATIONS HEREIN ARE THE PROPERTY OF DIGITAL EQUIPMENT CORPORATION AND SHALL NOT BE REPRODUCED OR COPIED OR USED IN WHOLE OR IN PART AS THE BASIS FOR THE MANUFACTURE OR SALE OF ITEMS WITHOUT WRITTEN PERMISSION. COPYRIGHT © 1977, DIGITAL EQUIPMENT CORPORATION

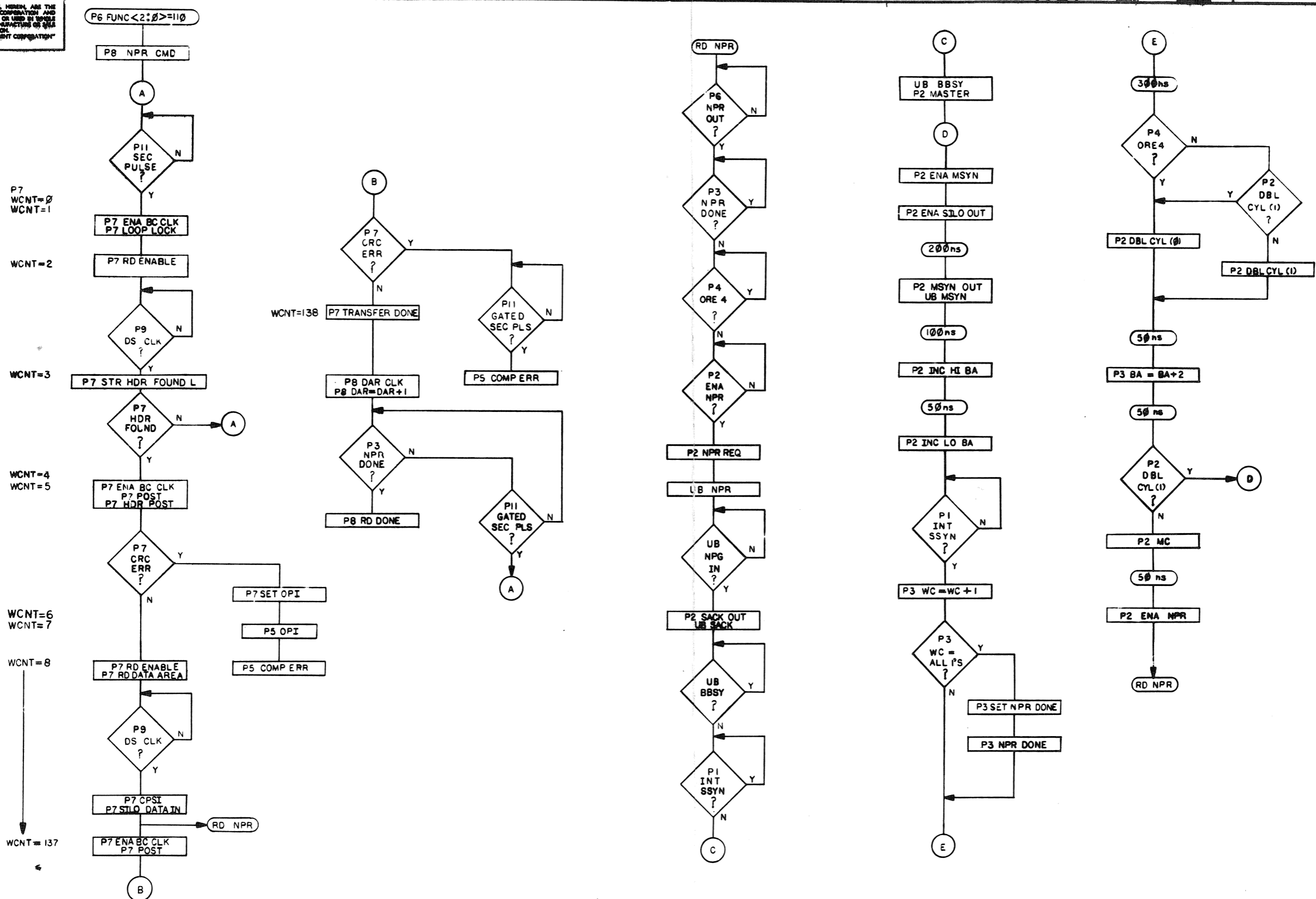
2 DFD M 7762-0-3



CHK	CHANGE NO.	REV
01	M7762-00001	E
02	M7762-00001	F
03	M7762-00001	G
04	M7762-00001	H
05	M7762-00001	I
06	M7762-00001	J
07	M7762-00001	K
08	M7762-00001	L
09	M7762-00001	M
10	M7762-00001	N
11	M7762-00001	O
12	M7762-00001	P
13	M7762-00001	Q
14	M7762-00001	R
15	M7762-00001	S
16	M7762-00001	T
17	M7762-00001	U
18	M7762-00001	V
19	M7762-00001	W
20	M7762-00001	X
21	M7762-00001	Y
22	M7762-00001	Z

FUNCTION CONTROL FLOW			
DRN. <i>P. Jones</i>	3-4-77	FIRST USED ON	RLII
CHKD. <i>P. Jones</i>	3-4-77	TITLE	RLII CONTROLLER FLOW DIAGRAM
ENG. <i>P. Jones</i>	3-4-77	NUMBER	M 7762-0-3
PROJ. ENG. <i>P. Jones</i>	3-4-77	REV	E
NEXT HIGHER ASSY.		SCALE	1/1
B-DD-M7762-0	SIZE CODE	D	FD
SHEET	OF 3	DIST.	

THIS DRAWING AND SPECIFICATIONS HEREIN ARE THE PROPERTY OF DIGITAL EQUIPMENT CORPORATION AND SHALL NOT BE REPRODUCED OR COPIED OR USED IN WHOLE OR IN PART AS THE BASIS FOR THE MANUFACTURE OF ANY OF ITEMS WITHOUT WRITTEN PERMISSION. COPYRIGHT © 1977 DIGITAL EQUIPMENT CORPORATION

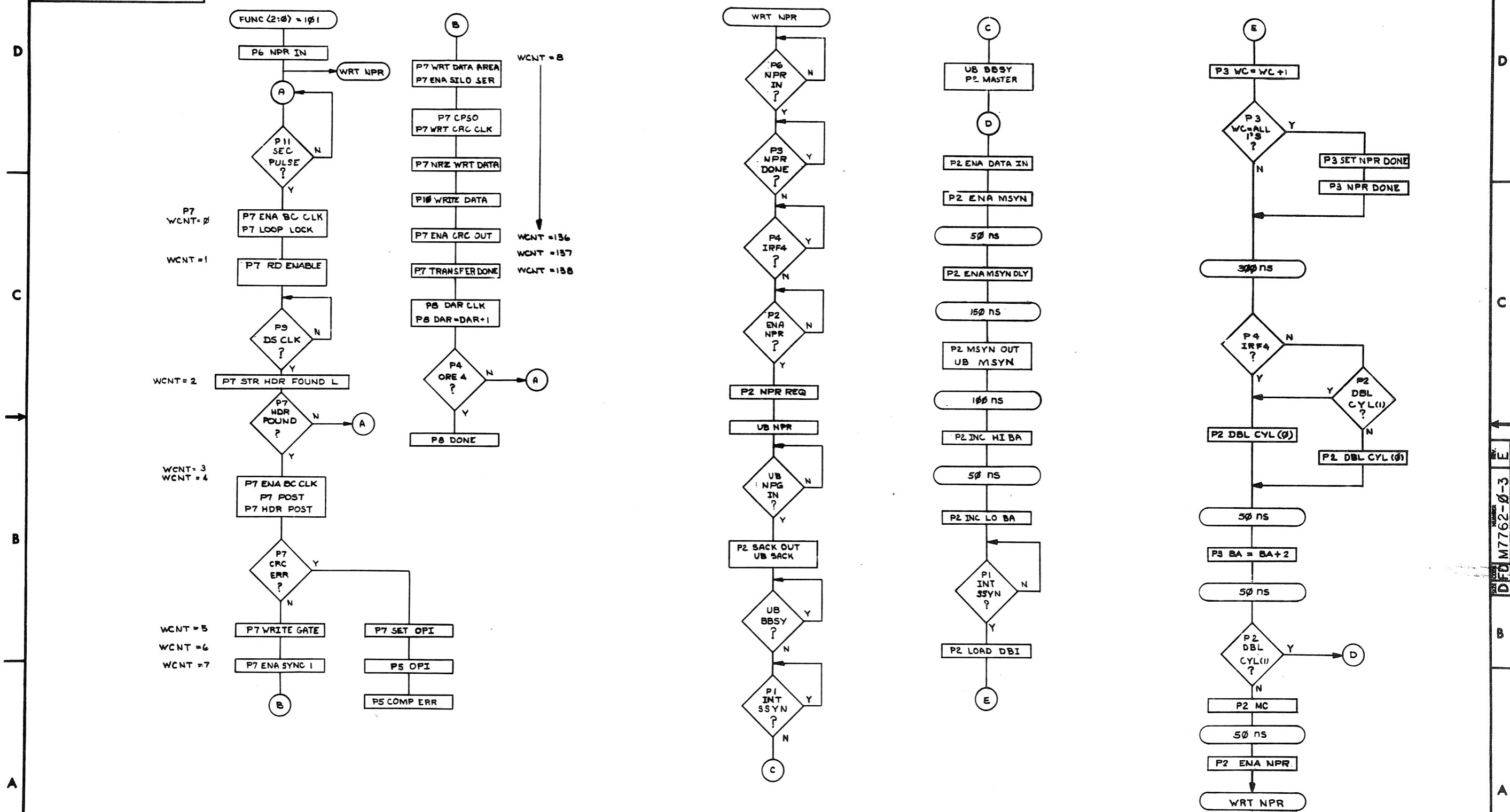


READ DATA COMMAND FORMAT & NPR FLOW

REVISIONS		
CHK	CHANGE NO.	REV.

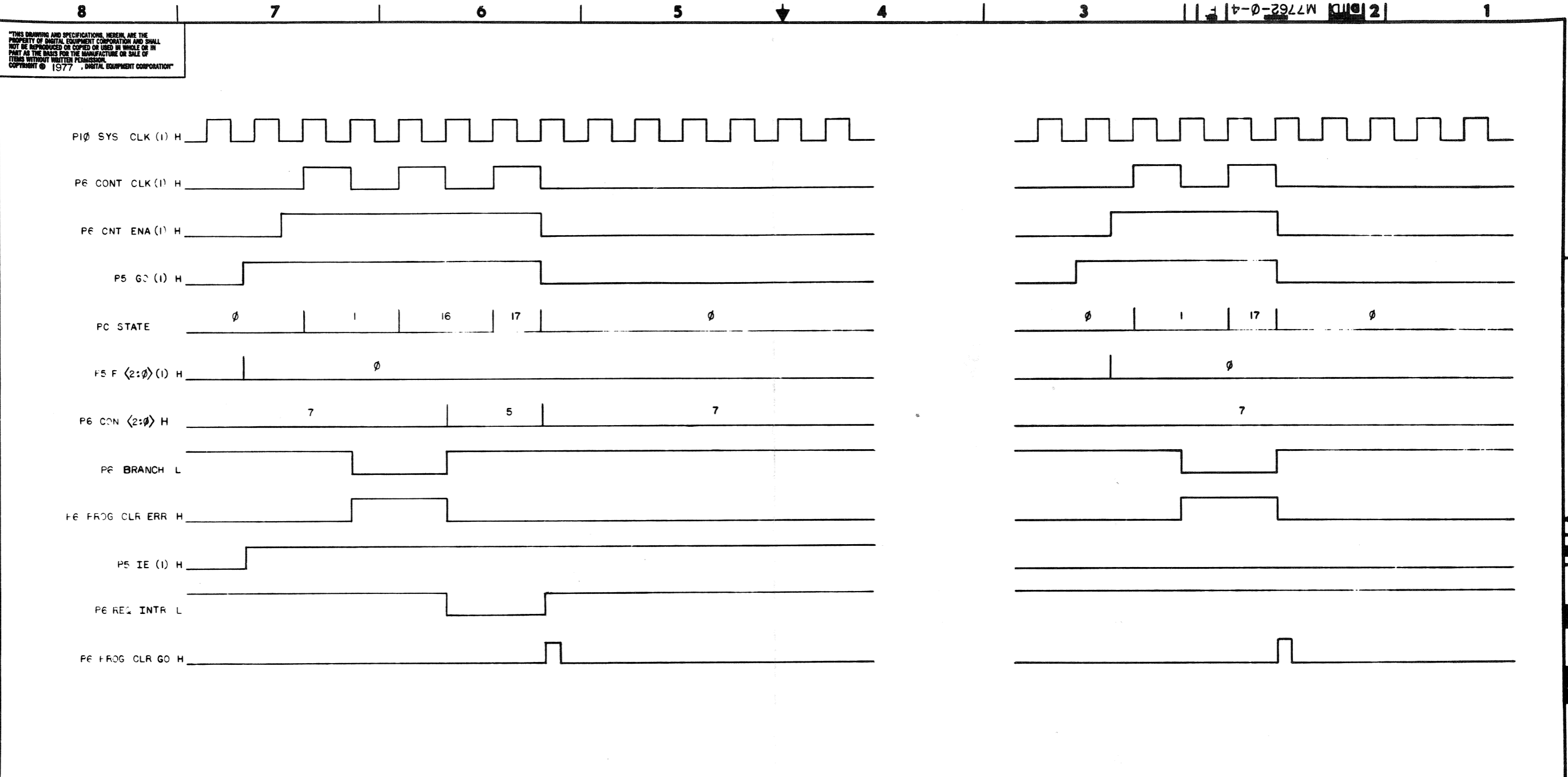
TITLE	RL11 CONTROLLER FLOW DIAGRAM	SIZE CODE	D F D	NUMBER	M 7762-0-3	REV.	E
SCALE	1:1	SHEET	2	OF	3	DIST.	

THIS DRAWING AND SPECIFICATIONS HEREIN ARE THE PROPERTY OF DIGITAL EQUIPMENT CORPORATION AND SHALL NOT BE REPRODUCED OR COPIED OR USED IN WHOLE OR IN PART AS THE BASIS FOR THE MANUFACTURE OR SALE OF ITEMS WITHOUT WRITTEN PERMISSION. COPYRIGHT © 1977 DIGITAL EQUIPMENT CORPORATION



REVISIONS		
CHK	CHANGE NO.	REV.

"THIS DRAWING AND SPECIFICATIONS, HEREIN, ARE THE PROPERTY OF DIGITAL EQUIPMENT CORPORATION AND SHALL NOT BE REPRODUCED OR COPIED OR USED IN WHOLE OR IN PART AS THE BASIS FOR THE MANUFACTURE OR SALE OF ITEMS WITHOUT WRITTEN PERMISSION."
 COPYRIGHT © 1977, DIGITAL EQUIPMENT CORPORATION



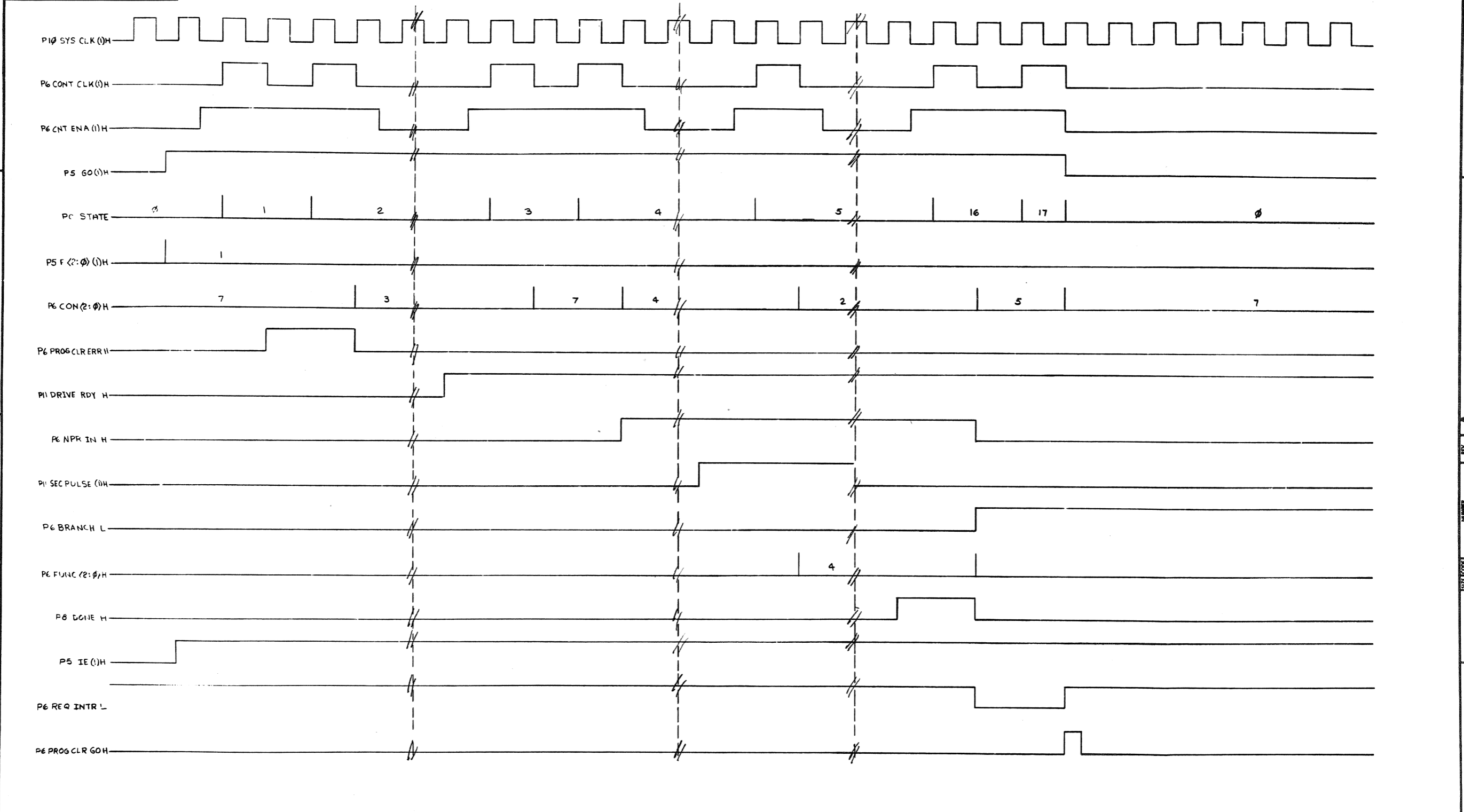
WITH IE SET

WITHOUT IE SET

REV.	E
CHK	IM762-00001
DATE	11/10/77
BY	...
...	...

NO OP FUNCTION TIMING			
DRN. S. D. No. 3-4-77	REV. USED BY	RLII	20-08-0
CHK'D. Alan Lee 1/1/77	TITLE		
ENG. Alan Lee 1/1/77	RLII CONTROLLER		
PROJ. ENG. S. F. 1/1/77	TIMING DIAGRAM		
PROD. P. J. 1/1/77	NEXT HIGHER ASSY.		
B-DD-M762-0	SIZE CODE	NUMBER	REV.
SCALE	D TD	M762-0-4	F
SHEET 1 OF 13	DIST.		

"THIS DRAWING AND SPECIFICATIONS, HEREIN, ARE THE PROPERTY OF DIGITAL EQUIPMENT CORPORATION AND SHALL NOT BE REPRODUCED OR COPIED OR USED IN WHOLE OR IN PART AS THE BASIS FOR THE MANUFACTURE OR SALE OF IDEAS WITHOUT WRITTEN PERMISSION. COPYRIGHT © 1977 DIGITAL EQUIPMENT CORPORATION"



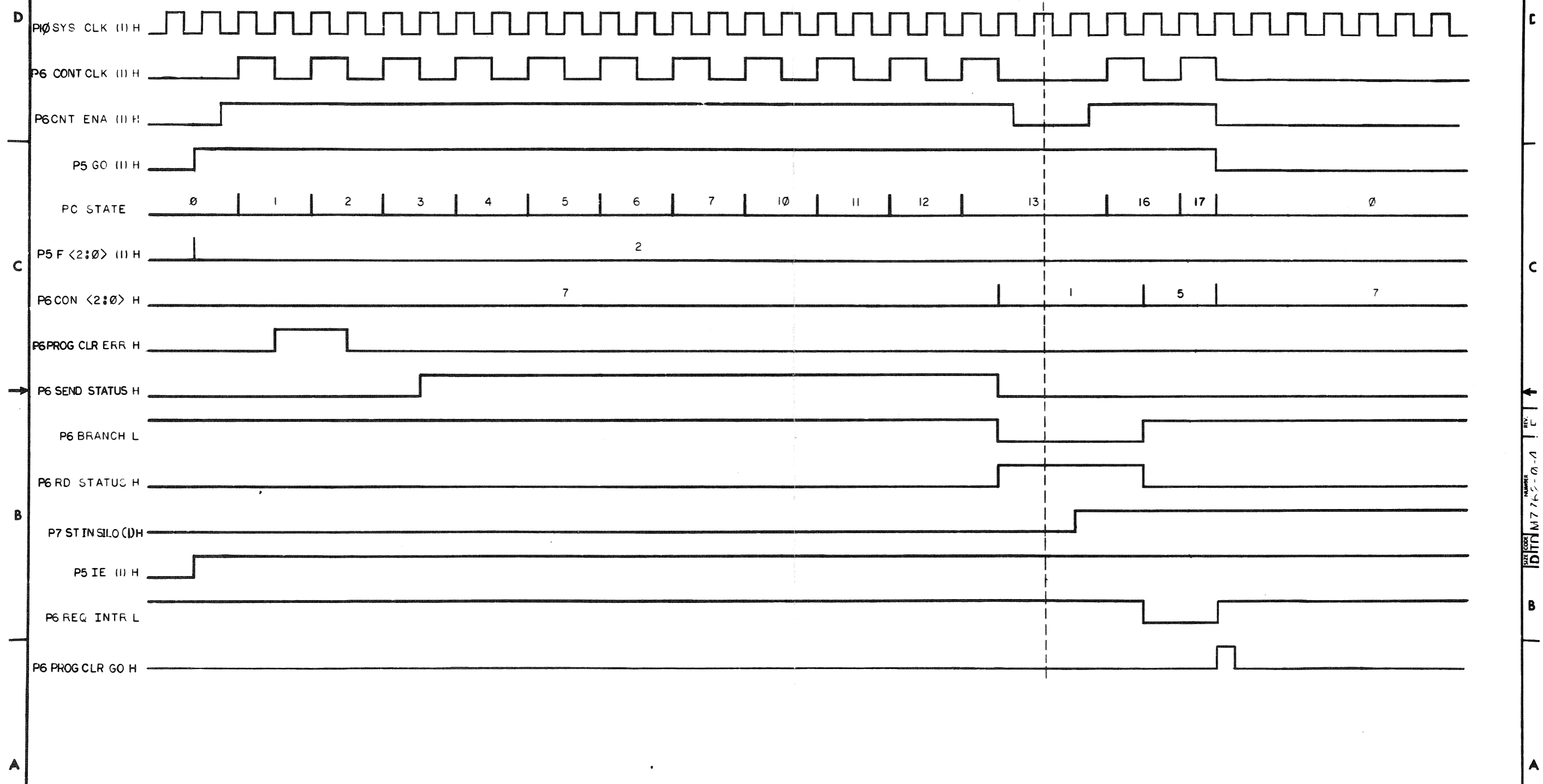
REVISIONS		
CHK	CHANGE NO.	REV.

WRITE CHECK FUNCTION TIMING

TITLE	RLII CONTROLLER TIMING DIAGRAM	SIZE CODE	NUMBER	REV.
SCALE	1/1	D TD	M7762-0-4	F
SHEET	2	OF	13	DIST.

REV. F
D TD M7762-0-4

"THIS DRAWING AND SPECIFICATIONS, HEREIN, ARE THE PROPERTY OF DIGITAL EQUIPMENT CORPORATION AND SHALL NOT BE REPRODUCED OR COPIED OR USED IN WHOLE OR IN PART AS THE BASIS FOR THE MANUFACTURE OR SALE OF ITEMS WITHOUT WRITTEN PERMISSION. COPYRIGHT © 1977 DIGITAL EQUIPMENT CORPORATION"



REVISIONS		
CHK	CHANGE NO.	REV.